

INDEX LEGEND

COUNTY: Madison
 SITE ADDRESS: St. Charles Road
 CITY: St. Charles
 SECTION: 7 TOWNSHIP: 75 RANGE: 26
 ALIQUOT PART: NE1/4 SE1/4 & SE1/4 SE1/4
 PARCEL DESIGNATION: Parcel "G"
 PROPRIETOR: Settlers Trail, LLC
 REQUESTED BY: Brett Osborn
 SURVEYOR NAME: Vincent E. Piagentini

**PLAT OF SURVEY
 PARCEL "G" IN
 NE1/4 SE1/4 & SE1/4 SE1/4
 SECTION 7-75-26**



Document 2018 598

Book 2018 Page 598 Type 06 026 Pages 1
 Date 2/26/2018 Time 11:13:30AM
 Rec Amt \$7.00

INDX
 ANNO
 SCAN
 CHEK

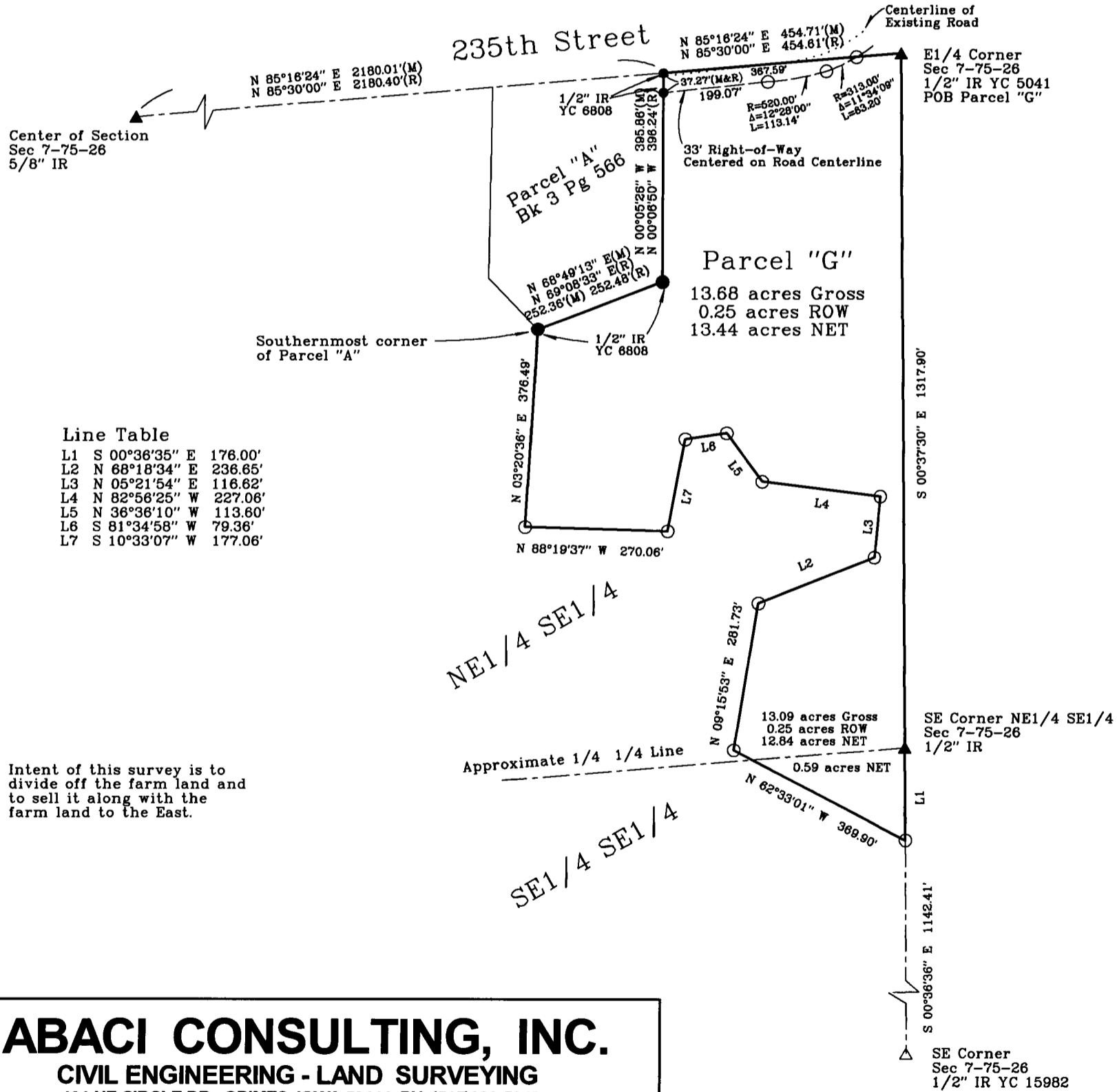
LISA SMITH, COUNTY RECORDER
 MADISON COUNTY IOWA

PREPARED BY & RETURN TO: ABACI CONSULTING INC, 101 NE CIRCLE DR, GRIMES, IA 50111, PH(515)986-5048

THIS SPACE RESERVED FOR REC ORDER'S OFFICE USE ONLY

Legal Description - Parcel "G"

All that part of the Northeast Quarter (NE1/4) of the Southeast Quarter (SE1/4) and the Southeast Quarter (SE1/4) of the Southeast Quarter (SE1/4) of Section 7, Township 75 North, Range 26 West of the 5th P.M., Madison County, Iowa, more particularly described as follows:
 Beginning at the E1/4 corner of said Section 7, thence South 00°37'30" East, along the East line of said NE1/4 of the SE1/4, a distance of 1,317.90 feet, to the Southeast corner of said NE1/4 of the SE1/4; thence South 00°36'35" East, along the East line of said SE1/4 of the SE1/4, a distance of 176.00 feet; thence North 62°33'01" West, a distance of 369.90 feet; thence North 09°15'53" East, a distance of 281.73 feet; thence North 68°18'34" East, a distance of 236.65 feet; thence North 05°21'54" East, a distance of 116.62 feet; thence North 82°56'25" West, a distance of 227.06 feet; thence North 36°36'10" West, a distance of 113.60 feet; thence South 81°34'58" West, a distance of 79.36 feet; thence South 10°33'07" West, a distance of 177.06 feet; thence North 88°19'37" West, a distance of 270.06 feet; thence North 03°20'36" East, a distance of 376.49 feet, to the Southernmost corner of Parcel "A" of the NE1/4 of the SE1/4 of said Section 7, as filed in Book 3 Page 566 in the Madison County Recorder's Office; thence North 68°49'13" East, along the Southeasterly line of said Parcel "A", a distance of 252.36 feet; thence North 00°05'26" West, along the East line of said Parcel "A", a distance of 395.86 feet, to a point on the North line of said NE1/4 of the SE1/4; thence North 85°16'24" East, along the North line of said NE1/4 of the SE1/4, a distance of 454.71 feet to the Point of Beginning, and containing 13.68 acres of land, more or less, including 0.25 acres of road easement.



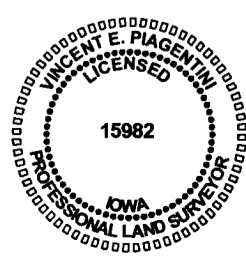
DATE OF SURVEY FIELDWORK: 2/7/18 DRAWING DATE: 2/21/18 DRAFTER: VP PROJECT NO: 18012

I HEREBY CERTIFY THAT THIS SURVEYING DOCUMENT WAS PREPARED AND THE RELATED WORK WAS PERFORMED BY ME OR UNDER MY DIRECT PERSONAL SUPERVISION, AND THAT I AM A DULY LICENSED PROFESSIONAL LAND SURVEYOR UNDER THE LAWS OF THE STATE OF IOWA.

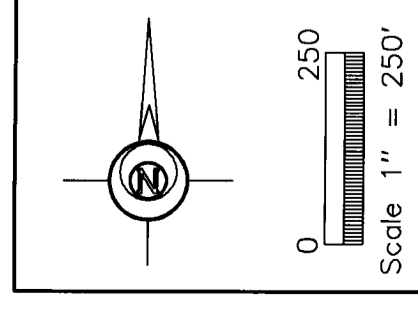
Vincent E. Piagentini 2/23/18
 VINCENT E. PIAGENTINI, IOWA LIC. NO 15982 DATE

MY LICENSE RENEWAL DATE IS DECEMBER 31, 2018.

ADDITIONAL PAGES CERTIFIED (NONE UNLESS INDICATED HERE)



- SYMBOLS LEGEND:**
- R RECORDED DISTANCE
 - M MEASURED DISTANCE
 - C CALCULATED DISTANCE
 - CORNER MONUMENT FOUND
 - SET 1/2" IR YC 15982 UNLESS NOTED
 - ▲ SECTION CORNER FOUND
 - △ SECTION CORNER SET 1/2" IR YC 15982 UNLESS NOTED
 - POB POINT OF BEGINNING
 - POC POINT OF COMMENCEMENT
 - YC YELLOW CAP



IR IRON ROD
 IP IRON PIPE