

COMPUTER ✓
 RECORDED ✓
 COMPARED ✓

FILED NO: **3949**

BOOK 3 PAGE 211

98 APR 14 AM 9:38

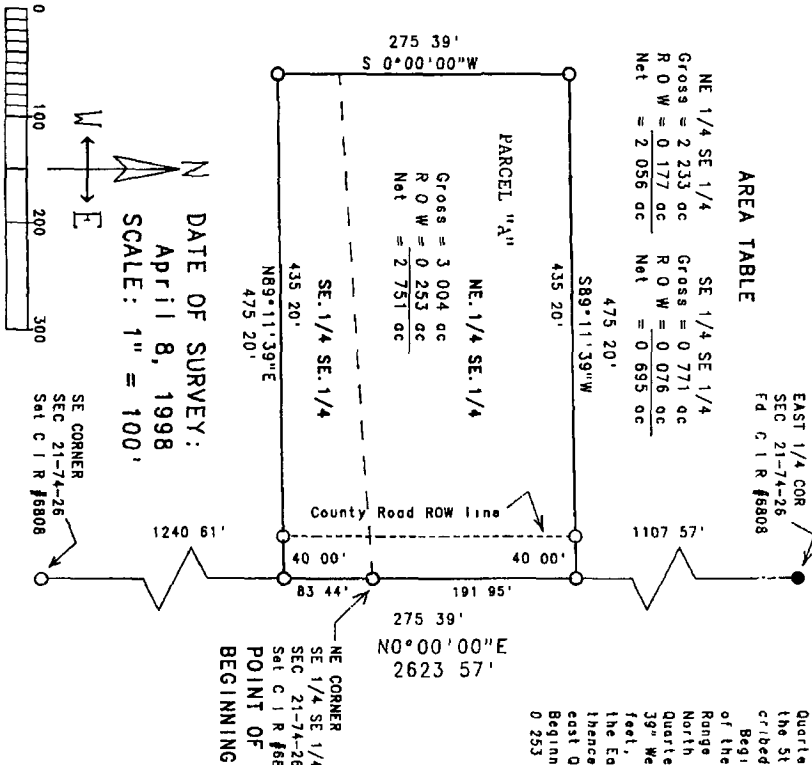
REC: 5
 AUD:
 R.M.F.:

RICHHELLE UTSLER
 RECORDER
 MADISON COUNTY, IOWA

VANCE & HOCHSTETLER, P.C. CONSULTING ENGINEERS, WINTERSSET, IOWA (515)462-3965

CHARLES T. VANCE, 110 WEST GREEN ST., WINTERSSET, IOWA 50273
 JAMES M. HOCHSTETLER, 110 WEST GREEN ST., WINTERSSET, IOWA 50273

A PLAT OF SURVEY FOR DON McHOSE LOCATED IN THE EAST HALF OF THE SOUTHEAST QUARTER OF SECTION 21, TOWNSHIP 74 NORTH, RANGE 26 WEST OF THE 5th P.M., MADISON COUNTY, IOWA.



AREA TABLE

NE 1/4 SE 1/4	SE 1/4 SE 1/4
Gross = 2.233 ac	Gross = 0.771 ac
R O W = 0.177 ac	R O W = 0.076 ac
Net = 2.056 ac	Net = 0.695 ac

EAST 1/4 COR
 SEC 21-74-26
 Fd C I R #6808

LEGAL DESCRIPTION

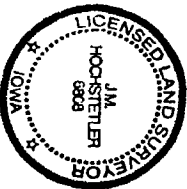
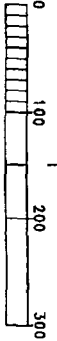
Parcel "A", located in the East Half of the Southeast Quarter of Section 21, Township 74 North, Range 26 West of the 5th P.M., Madison County, Iowa, more particularly described as follows:
 Beginning at the Northeast corner of the Southeast Quarter of the Southeast Quarter of Section 21, Township 74 North, Range 26 West of the 5th P.M., Madison County, Iowa, thence North 0°00'00" East along the East line of the Southeast Quarter of said Section 21, 191.95 feet, thence South 89°11'39" West, 475.20 feet, thence South 0°00'00" West, 275.39 feet, thence North 89°11'39" East, 475.20 feet to a point on the East line of the Southeast Quarter of said Section 21, thence North 0°00'00" East along the East line of the Southeast Quarter of said Section 21, 83.44 feet to the Point of Beginning. Said Parcel contains 3.004 acres, including 0.253 acres of County Road right-of-way.

LEGEND

- Fd C I R #6808
- Set C I R #6808
- County Rd ROW line
- - - - - Cont'd 1/4-1/4 Sec line

NE CORNER
 SE 1/4 SE 1/4
 SEC 21-74-26
 Set C I R #6808
POINT OF BEGINNING

DATE OF SURVEY:
 April 8, 1998
 SCALE: 1" = 100'



I hereby certify that this land surveying document was prepared and the field work was performed by me or under my direct supervision and that I am a duly Licensed Land Surveyor under the laws of the State of Iowa.
 J.M. HOCHSTETLER
 Licensed Land Surveyor
 My license expires on December 31, 1999.
 Date: 4/9/98
 Pages or sheets covered by this plat: 1