



Document 2015 356

Book 2015 Page 356 Type 06 043 Pages 1
Date 2/09/2015 Time 1:35 PM
Rec Amt \$7.00

INDX
ANNO
SCAN
CHEK

LISA SMITH, COUNTY RECORDER
MADISON COUNTY IOWA

PREPARED BY & RETURN TO MIKE SCHULTE, SNYDER & ASSOCIATES, INC. 1751 MADISON AVENUE, COUNCIL BLUFFS, IOWA 51503 (712) 322-3202

UNITED STATES PUBLIC LAND SURVEY CORNER CERTIFICATE OF

Land Survey Monuments situated in Section 10, Township 74, Range 29, of the Fifth Principal Meridian, MADISON, County, Iowa.
Previously recorded in BOOK 1, PAGE 588 in County Recorder's Office.
(book, page, document number, ect.)

(Show reason for preparing this certificate, the evidence and detailed procedures used in establishing the corner positions and monumentation found or placed.)

Monument Description and Remarks:

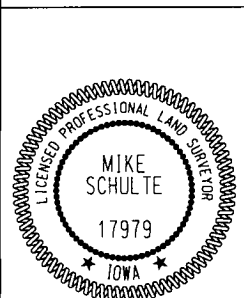
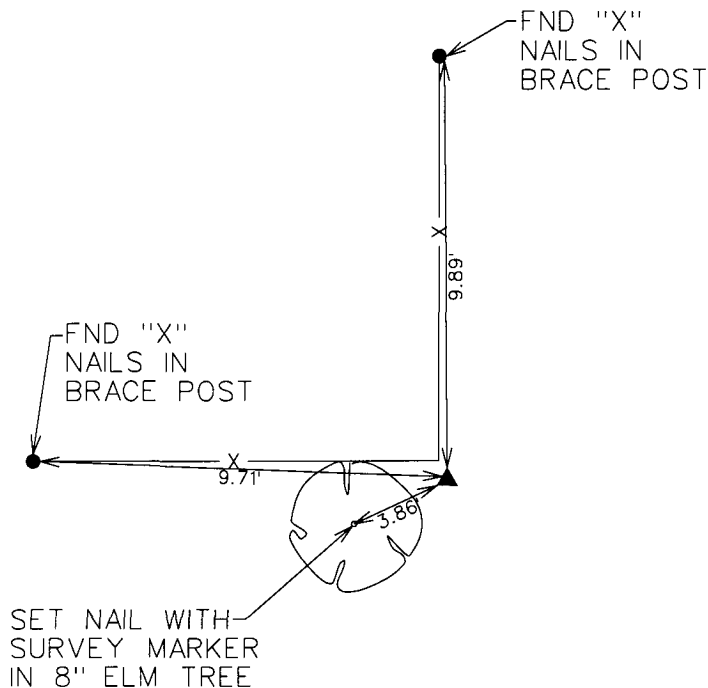
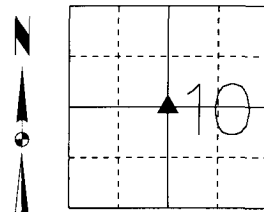
CENTER - EXISTING TIES WERE MISSING. USED A METAL DETECTOR TO LOCATE THE SECTION CORNER.
FOUND A 5/8" REBAR WITH YELLOW PLASTIC CAP #7995 AT THE SURFACE.

Plan-View

(Show a minimum of three reference ties to durable physical objects, relevant monuments and physical conditions that will enable recovery of the corner.)

SPC IA SOUTH
US SURVEY FEET
IA RTN DERRIVED
NAD 83(CORS96)
EPOCH 2002.00
N: 445942.86
E: 1454572.54

CENTER
FOUND 5/8" REBAR
YELLOW PLASTIC CAP #7995
AT THE SURFACE



I hereby certify that this land surveying document was prepared and the related survey work was performed by me or under my direct personal supervision and that I am a duly licensed Professional Land Surveyor under the laws of the State of Iowa.
Mike Schulte 2015-02-09
Mike Schulte, PLS Date
License Number 17979
My License Renewal Date is December 31, 2015
Pages or sheets covered by this seal:
SHEET 1 OF 1

List Corners to be Indexed

Corners	Section	Twp	Range
CENTER	10	74	29