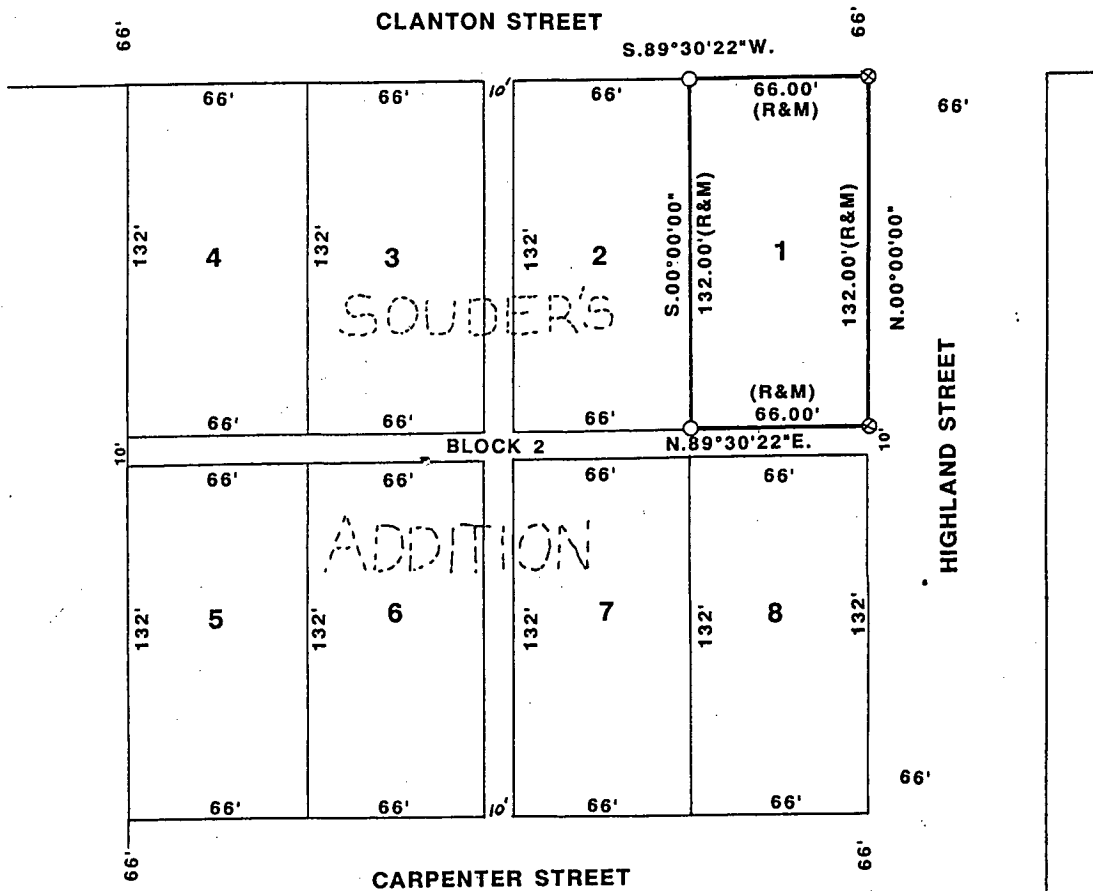


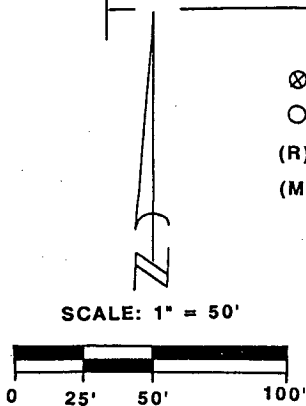
PLAT OF SURVEY FOR ROY WARREN  
OF LOT 1, BLOCK 2, SOUDER'S ADDITION  
TO THE TOWN OF ST. CHARLES,  
MADISON COUNTY, IOWA.



- ⊗ CUT "X" IN CONCRETE SIDEWALK
- SET C.I.R. # 5041
- (R) RECORDED DIMENSION
- (M) MEASURED DIMENSION

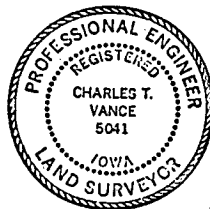
REC \$ 500  
 AUD \$ \_\_\_\_\_  
 R.M.F. \$ 100

FILED NO. 328  
 BOOK 2 PAGE 220  
 94 AUG -2 PM 2: 00  
 MICHELLE UTSLER  
 RECORDER  
 MADISON COUNTY, IOWA



DATE OF SURVEY:  
 JULY 7, 1994

COMPUTER   
 RECORDED   
 COMPARED



I HEREBY CERTIFY THAT THIS PLAN, SPECIFICATION, PLAT, MAP, SURVEY OR REPORT WAS MADE BY ME OR UNDER MY DIRECT PERSONAL SUPERVISION AND THAT I AM A DULY REGISTERED PROFESSIONAL ENGINEER AND LAND SURVEYOR UNDER THE LAWS OF THE STATE OF IOWA  
 SIGNED Charles T. Vance DATE 18 July 1994  
 Charles T. Vance, P.E. & L.S. Iowa Reg. No. 5041  
 My Registration Expires December 31, 19 95

VANCE & HOCHSTETLER, P.C.  
 CONSULTING ENGINEERS  
 71 JEFFERSON STREET  
 WINTERSSET, IOWA 50273