

REC \$ Netec
AUD \$ _____
R.M.F. \$ _____

COMPUTER
RECORDED
COMPARED _____

FILED NO. 339
BOOK 1 PAGE 687
98 JUL 20 PM 2:31

Prepared By: J. Brian Morrissey, Madison County Engineer, P.O. Box 152 Winterset, Ia. 50273, Tel. 462-RECORD
MICHILLE UTSLER
MADISON COUNTY, IOWA

UNITED STATES PUBLIC LAND SURVEY CORNER CERTIFICATE OF

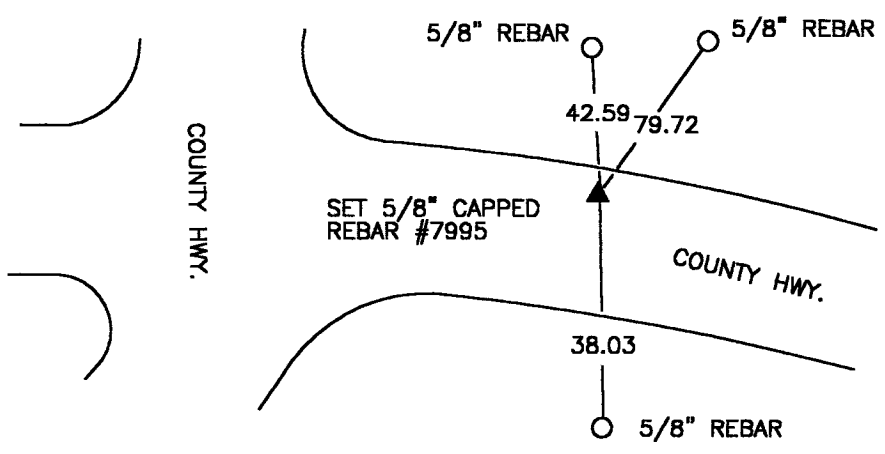
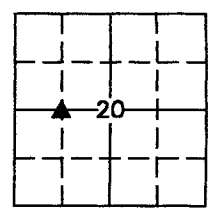
Land Survey Monuments situated in Section 20, Township 76 N, Range 27 W, of the Fifth Principal Meridian, Madison County, Iowa.
Previously recorded in Book 1, Page 181 in County Recorders Office.
(book, page, document number, etc.)

(Show reason for preparing this certificate, the evidence and detailed procedures used in establishing the corner positions and monumentation found or placed.)

Monument Description and Remarks: Found 5/8" rebar and accepted position. Ties perpetuated during grading of Madison County Highway. Reset 5/8" capped rebar, #7995.

PLAN VIEW

(Show a minimum of three reference ties to durable physical objects, relevant monuments and physical conditions that will enable recovery of the corner.)



NE. COR., NW. 1/4, SW. 1/4, SEC. 20

NOTE: ALL TIES TO CENTER OF REBAR UNLESS NOTED



I hereby certify that the survey work was completed and this certificate was prepared by me or under my direct personal supervision and that I am a duly Licensed Land Surveyor under the laws of the State of Iowa.

Signature: J. Brian Morrissey Date: 7/16/98
J. Brian Morrissey

License number 7995.
My license renewal date is December 31, 1999.