

FILED NO. 3978

BOOK 1 PAGE 615

98 APR 15 PM 1:26

MICHELLE UTSLER
RECORDER
MADISON COUNTY, IOWA

REC \$ 5⁰⁰
AUD \$
R.M.F. \$ 1⁰⁰

COMPUTER
RECORDED
COMPARED

VANCE & HOCHSTETLER, P.C., CONSULTING ENGINEERS, WINTERSSET, IOWA (515) 462-3995
CHARLES T. VANCE, 110 West Green St., Wintersset, Iowa, 50273
JAMES M HOCHSTETLER, 110 West Green St., Wintersset, Iowa 50273

UNITED STATES PUBLIC LAND SURVEY CORNER CERTIFICATE

OF
Land Survey Monuments situated in Section 11, Township 76 North, Range 26 West, of the Fifth Principal Meridian, MADISON County, Iowa.
Previously recorded in _____ in County Recorder's Office.

(book, page, document number, etc.)

(Show reason for preparing this certificate, the evidence and detailed procedures used in establishing the the corner positions and monumentation found or placed.)

Monument Description and Remarks:

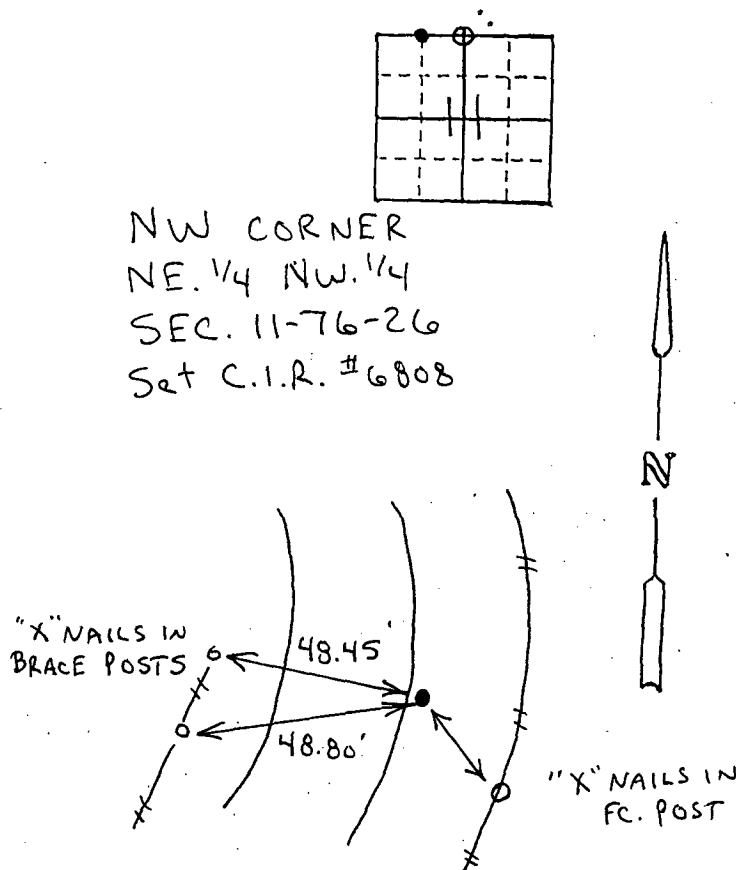
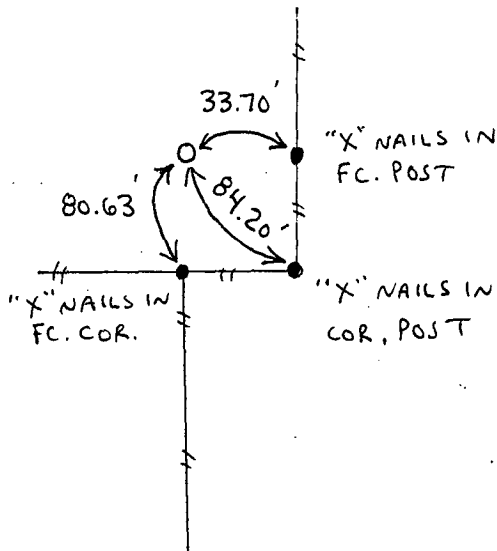
N. 1/4 cor. - Set C.I.R. #6808 at one-third split between SE cor. NE. 1/4 NW. 1/4 (set 6808) and Cent. of Sec. 2-76N-26W (calc. cor.) in line with existing fence south into Section 11.

NW cor. NE. 1/4 NW. 1/4 - Set C.I.R. #6808 at split between N. 1/4 cor. & NW cor (calc. cor. using fence line along W. line of SW. 1/4 Sec. 2).

PLAN - VIEW

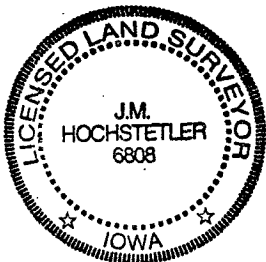
(Show a minimum of three reference ties to durable physical objects, relevant monuments and physical conditions that will enable recovery of the corner.)

NORTH 1/4 COR.
SEC. 11-76-26
Set C.I.R. #6808



List Corners to be Indexed

Corners	Section	Twp	Range
N. 1/4 cor.	11	76N	26W
NW cor.	11	76N	26W
NE. 1/4 NW. 1/4	11	76N	26W



I hereby certify that this land surveying document was prepared and the related survey work was performed by me or under my direct personal supervision and that I am a duly licensed Land Surveyor under the laws of the State of Iowa.

J.M. Hochstetler
J.M. HOCHSTETLER

License number 6808

Date 9/14/98

My license renewal date is December 31, 1999.

Pages or sheets covered by this seal: 1