

REC'D 5<sup>00</sup>  
 AUD'S \_\_\_\_\_  
 R.M.F.S. 1<sup>00</sup>

FILED NO. 3156  
 BOOK 1 PAGE 598  
 98 FEB 26 PM 1:46

COMPUTER   
 RECORDED   
 COMPARED

MICHELLE UTSLER  
 RECORDER  
 MADISON COUNTY, IOWA

VANCE & HOCHSTETLER, P.C., CONSULTING ENGINEERS, WINTERSSET, IOWA (515) 462-3995  
 CHARLES T. VANCE, 110 West Green St., Winterset, Iowa, 50273  
 JAMES M HOCHSTETLER, 110 West Green St., Winterset, Iowa 50273

UNITED STATES PUBLIC LAND SURVEY CORNER CERTIFICATE

Land Survey Monuments situated in Section 2 OF 2, Township 75 North, Range 26 West, of the Fifth Principal Meridian, MADISON County, Iowa.  
 Previously recorded in \_\_\_\_\_ in County Recorder's Office.  
 (book, page, document number, etc.)

(Show reason for preparing this certificate, the evidence and detailed procedures used in establishing the the corner positions and monumentation found or placed.)

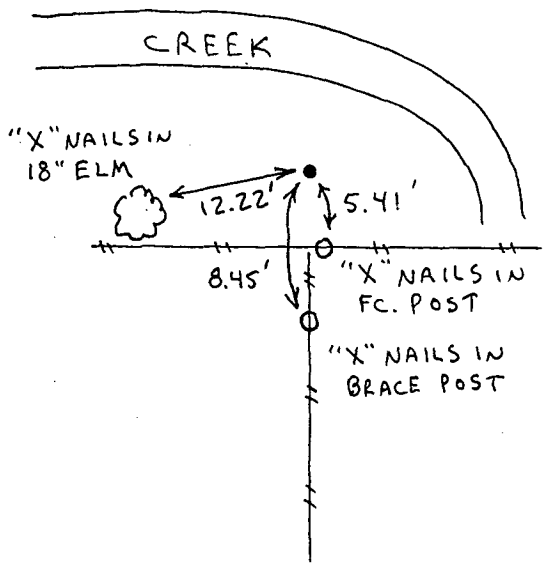
Monument Description and Remarks: \_\_\_\_\_  
CENTER - Fd. C.I.R. #5041

\_\_\_\_\_  
S. 1/4 cor. - Fd. C.I.R. #5041

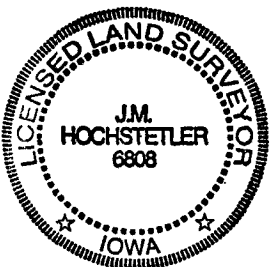
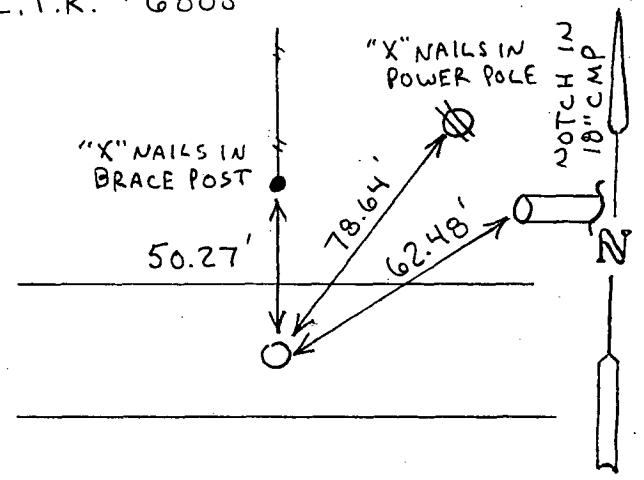
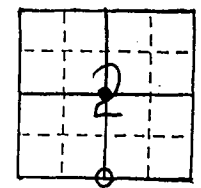
PLAN - VIEW

(Show a minimum of three reference ties to durable physical objects, relevant monuments and physical conditions that will enable recovery of the corner.)

CENTER  
 SEC. 2-75-26  
 Fd. C.I.R. #5041



SOUTH 1/4 COR.  
 SEC. 2-75-26  
 Fd. C.I.R. #6808



I hereby certify that this land surveying document was prepared and the related survey work was performed by me or under my direct personal supervision and that I am a duly licensed Land Surveyor under the laws of the State of Iowa.  
J.M. Hochstetler  
 J.M. HOCHSTETLER  
 License number 6808  
 Date 2/24/98  
 My license renewal date is December 31, 1999.  
 Pages or sheets covered by this seal: 1

List Corners to be Indexed

Corners	Section	Twp	Range
CENTER	2	75N	26W
S. 1/4 cor.	2	75N	26W