

RECORDED
 COMPARED
 5.00
 1.00

FILED NO. 59
 BOOK 1 PAGE 480
 97 JUL -2 PH 4: 36
 MICHELLE UTSLER
 RECORDER
 MADISON COUNTY, IOWA

VANCE & HOCHSTETLER, P.C. CONSULTING ENGINEERS, WINTERSSET, IOWA (515)462-399

CHARLES T. VANCE, 110 West Green St., Winterset, Iowa 50273
 JAMES M. HOCHSTETLER, 110 West Green St., Winterset, Iowa 50273

SLS19-94

UNITED STATES PUBLIC LAND SURVEY CORNER CERTIFICATE

OF

Land Survey Monuments situated in Section 14, Township 76 North, Range 27 West, of the Fifth Principal Meridian, MADISON County, Iowa. Previously recorded in _____ in County Recorder's Office.

(Show reason for preparing this certificate, the evidence and detailed procedures used in establishing the corner positions and monumentation found or placed.)

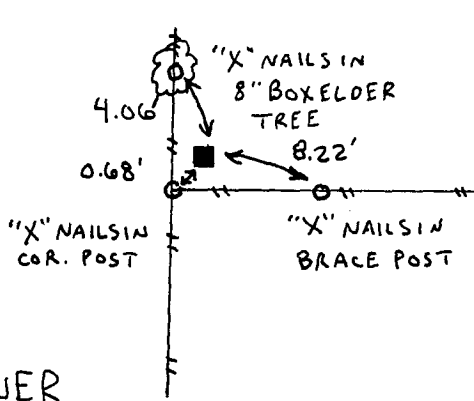
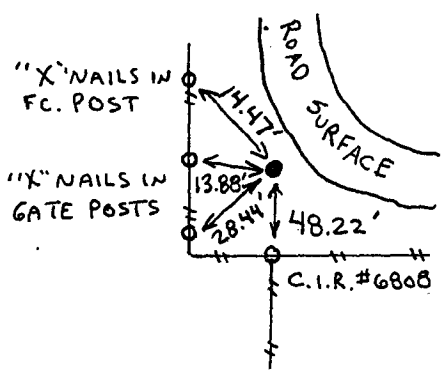
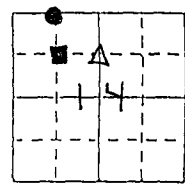
Monument Description and Remarks:
NW cor. NE. 1/4 NW. 1/4 - Set C.I.R. #6808 @ intersection of fence line (N-S) and the N. line of the NW. 1/4 of Sec. 14.
SW cor. NE. 1/4 NW. 1/4 - Set C.I.R. #6808 @ existing fence corner
SE cor. NE. 1/4 NW. 1/4 - Set C.I.R. #6808 in existing fence line @ split between SW cor. NE. 1/4 NW. 1/4 and SE cor. NW. 1/4 NE. 1/4.

PLAN - VIEW

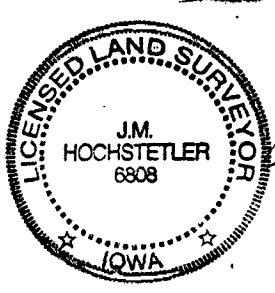
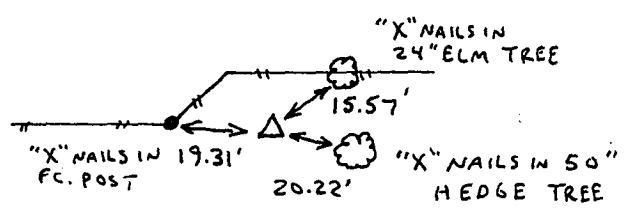
(Show a minimum of three reference ties to durable physical objects, relevant monuments and physical conditions that will enable recovery of the corner.)

NW CORNER
 NE. 1/4 NW. 1/4
 SEC. 14-76-27
 Set C.I.R. #6808

SW CORNER
 NE. 1/4 NW. 1/4
 SEC. 14-76-27
 Set C.I.R. #6808



SE CORNER
 NE. 1/4 NW. 1/4
 SEC. 14-76-27
 Set C.I.R. #6808



I hereby certify that this land conveying document was prepared and the related survey work was performed by me or under my direct personal supervision and that I am a duly licensed Land Surveyor under the laws of the State of Iowa.
J.M. Hochstetler
 J.M. HOCHSTETLER
 License number 6808 Date 7/2/97
 My license renewal date is December 31, 1997
 Pages or sheets covered by this seal: 1

List Corners to be Indexed			
Corners	Section	Twp	Range
NW cor.	14	76N	27W
NE. 1/4 NW. 1/4	14	76N	27W
SW cor.	14	76N	27W
NE. 1/4 NW. 1/4	14	76N	27W
SE cor.	14	76N	27W
NE. 1/4 NW. 1/4	14	76N	27W