

RECORDED  
COMPARED

REC \$ 7.00  
AID \$ \_\_\_\_\_  
R.M.F. \$ \_\_\_\_\_

Prepared By: J. Brian Morrissey, Madison Co. Engineer, P.O. Box 152 Winterset, Ia. 50273, Telephone (515) 462-1136

# UNITED STATES PUBLIC LAND SURVEY CORNER CERTIFICATE OF

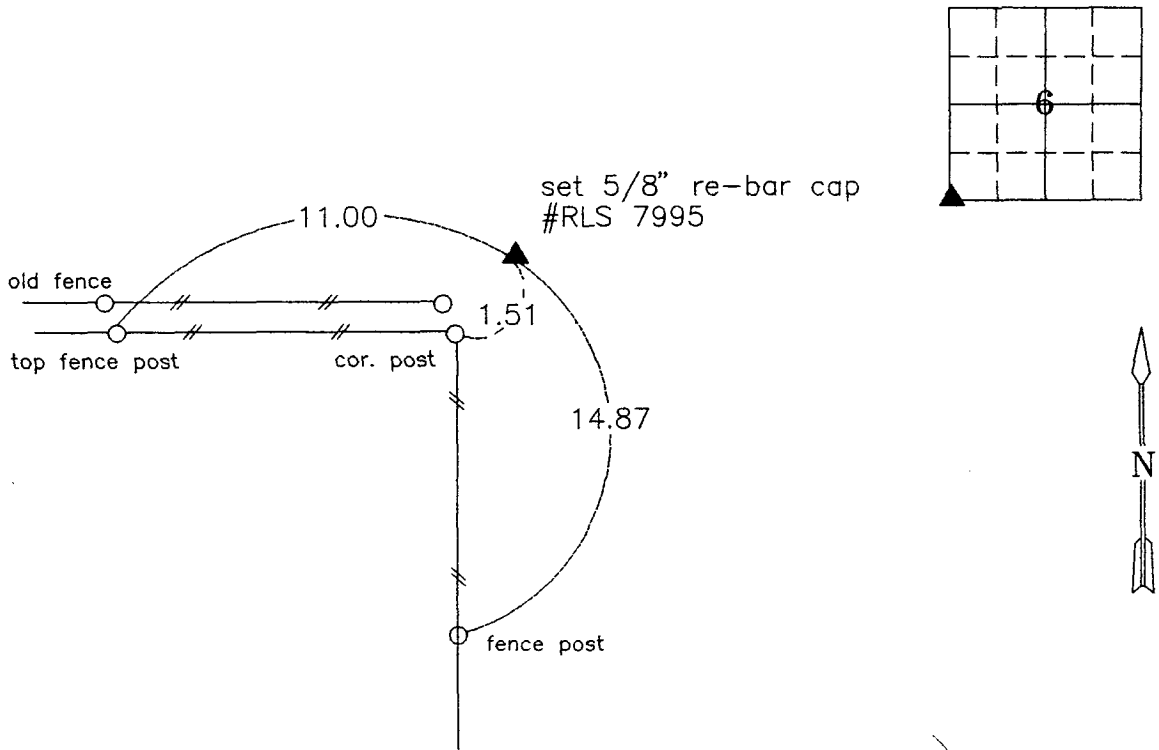
Land Survey Monuments situated in Section 6, Township 75N, Range 27W, of the Fifth Principal Meridian, MADISON County, Iowa.  
Previously recorded in N.A. in County Recorders Office.  
(book,page,document number,etc.)

(Show reason for preparing this certificate, the evidence and detailed procedures used in establishing the corner positions and monumentation found or placed.)

Monument Description and Remarks: Set capped 5/8" re-bar RLS# 7995.  
Re-established corner using west line of section 6 & fence intersections.

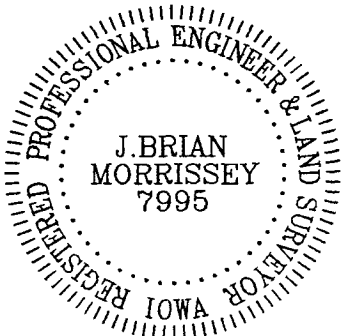
## PLAN VIEW

(Show a minimum of three reference ties to durable physical objects, relevant monuments and physical conditions that will enable recovery of the corner.)



S.W. Cor. S.W. 1/4 SEC. 6 T-75N, R-27W

NOTE: all ties in x'd nails in fence posts



I hereby certify that the survey work was completed and this certificate was prepared by me or my direct personal supervision and that I am a duly registered land surveyor under the laws of the state of Iowa. My registration renewal date is 12/31/95.

Signature: J. Brian Morrissey  
Name typed or printed: J. Brian Morrissey

Date: July 31, 1995 Reg.No. 7995