

FILED NO. 004201

BOOK 2 PAGE 153

2000 MAY -9 PM 3: 04

MICHELLE UTSLER
RECORDER
MADISON COUNTY, IOWA

RECS 5⁰⁰
AUD \$
R.M.F. \$ 10

COMPUTER
RECORDED
COMPARED

VANCE & HOCHSTETLER, P.C., CONSULTING ENGINEERS, WINTERSSET, IOWA (515) 462-3995
CHARLES T. VANCE, 110 West Green St., Winterset, Iowa, 50273
JAMES M HOCHSTETLER, 110 West Green St., Winterset, Iowa 50273

UNITED STATES PUBLIC LAND SURVEY CORNER CERTIFICATE

Land Survey Monuments situated in Section 35 OF 75 North Township, Range 26 West of the Fifth Principal Meridian, MADISON County, Iowa.
Previously recorded in _____ in County Recorder's Office.
(book, page, document number, etc.)

(Show reason for preparing this certificate, the evidence and detailed procedures used in establishing the the corner positions and monumentation found or placed.)

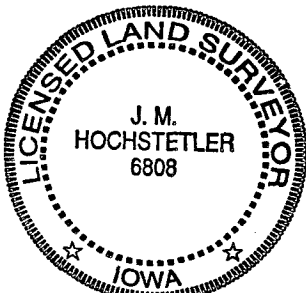
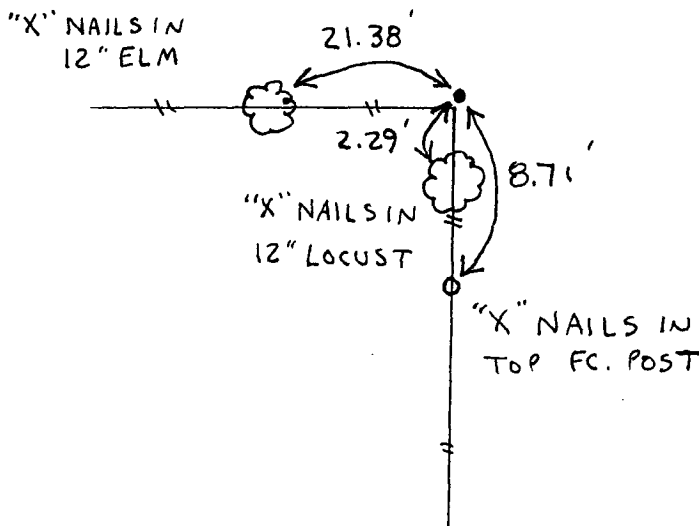
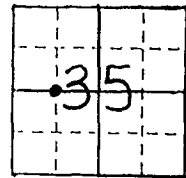
Monument Description and Remarks:

NW cor. NE. 1/4 SW. 1/4 - Set Capped Iron Rod #6808 (exposed)
at existing fence corner.

PLAN - VIEW

(Show a minimum of three reference ties to durable physical objects, relevant monuments and physical conditions that will enable recovery of the corner.)

NW CORNER
NE. 1/4 SW. 1/4
SEC. 35-75-26
Set C.I.R. #6808



I hereby certify that this land surveying document was prepared and the related survey work was performed by me or under my direct personal supervision and that I am a duly licensed Land Surveyor under the laws of the State of Iowa.

J. M. Hochstetler
J. M. HOCHSTETLER

License number 6808 Date 5/4/2000

My license renewal date is December 31, 2001

Pages or sheets covered by this seal: 1

List Corners to be Indexed

Corners	Section	Twp	Range
NW cor.	35	75N	26W
NE. 1/4 SW. 1/4			