

REC \$ 5.00
 AUD \$ _____
 R.M.F. \$ 1.00

COMPUTER
 RECORDED
 COMPARED

FILED NO. 4512
 BOOK 2 PAGE 41
 99 MAY -7 AM 11:06

MICHELLE UTSLER

PREPARED BY: BOLDMAN LAND SURVEYING, P.C. 521 WEST GREEN STREET, WINTERSET, IA 50273. PHONE (515) 461-3388
 MADISON COUNTY IOWA

UNITED STATES PUBLIC LAND SURVEY CORNER CERTIFICATE

OF

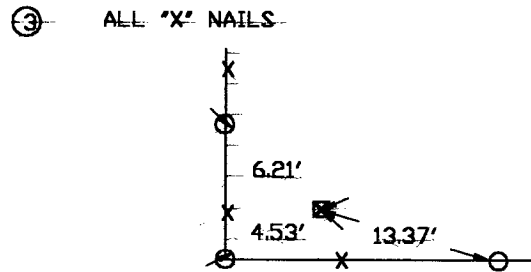
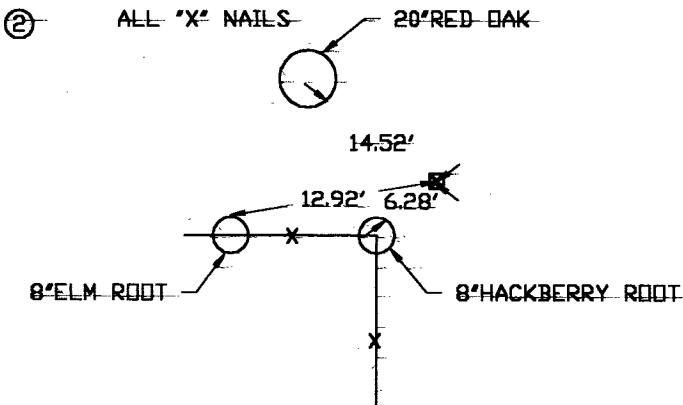
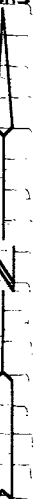
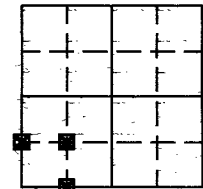
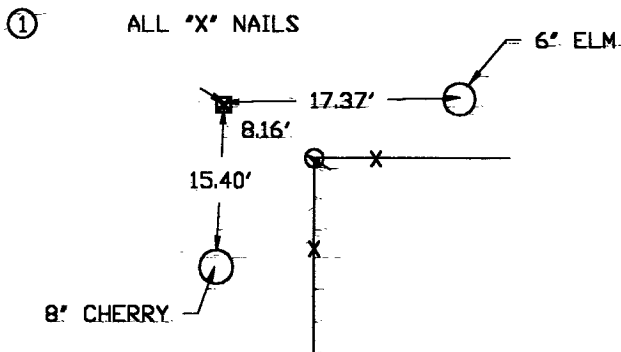
Land Survey Monuments situated in Section 8 Township 75 Range 26
 of the Fifth Principal Meridian, MADISON County, Iowa
 Previously recorded in NONE RECORDED In County Recorder's Office.
 (book, page, document number, etc.)

(show reason for preparing this certificate, the evidence and detailed procedures used in establishing the corner positions and monumentation found or placed.)

Monument Description and Remarks: 1 SET 1/2" PIN LS#13427 AT MIDPOINT OF WEST LINE SW 1/4 FOR NW CORNER SW1/4 SW1/4. 2 SET 1/2" PIN INTERSECTION OF 1/16TH CORNERS FOR NE CORNER SW1/4 SW1/4. SET 1/2" PIN LS#13427 AT MIDPOINT OF SOUTH LINE SW1/4

PLAN-VIEW

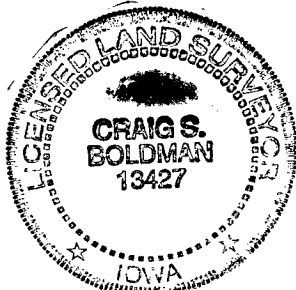
(Show a minimum of three reference ties to durable physical objects, relevant monuments and physical conditions that will enable recovery of the corner.)



I hereby certify that the survey work was completed and this certificate was prepared by me or under my direct personal supervision and that I am a duly Licensed Land Surveyor under the laws of the State of Iowa

Signature: Craig S. Boldman
 Craig S. Boldman

Date: 5/6/89 Reg. No. 13427



SEAL

List Corners to be Indexed

Corners	Section	Twp	Range
NW COR SW1/4 SW1/4	8	75	26
NE COR SW1/4 SW1/4	8	75	26
SE COR SW1/4 SW1/4	8	75	26