

REC \$ 5⁰⁰
 AUD \$ _____
 R.M.F. \$ 1⁰⁰

COMPUTER
 RECORDED
 COMPARED

FILED NO: 4511
 BOOK 2 PAGE 40
 99 MAY -7 AM 11:05

PREPARED BY: BOLDMAN LAND SURVEYING, P.C. 521 WEST GREEN STREET, WINTERSET, IA 50273 PHONE (515) 251-3308

UNITED STATES PUBLIC LAND SURVEY CORNER CERTIFICATE OF _____
 OF _____

Land Survey Monuments situated in Section 16 Township 74 Range 28
 of the Fifth Principal Meridian, MADISON County, Iowa
 Previously recorded in NONE RECORDED in County Recorder's Office.
 (book, page, document number, etc.)

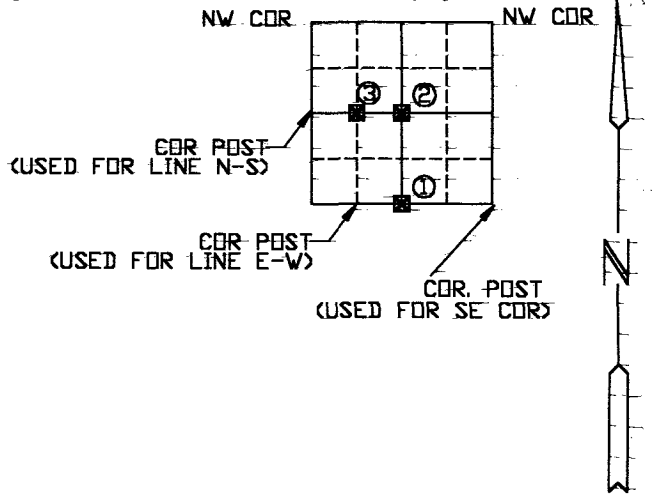
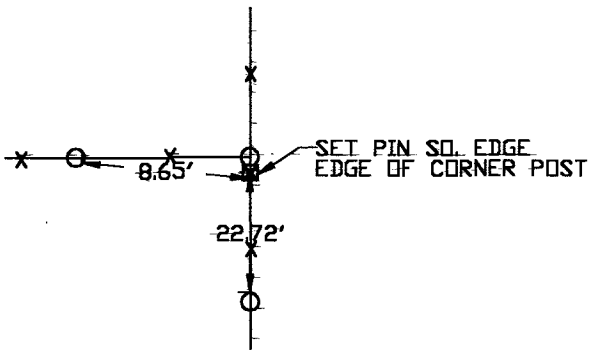
(show reason for preparing this certificate, the evidence and detailed procedures used in establishing the corner positions and monumentation found or placed.)

Monument Description and Remarks: ① ACCEPTED CORNER POST AT INTERSECTION OF ANCIENT FENCES FOR S1/4 COR. MEASURED DISTANCE ACROSS SOUTH LINE SE 1/4 TO A CORNER POST REASONABLY FITS THE GOVERNMENT RECORD.
 ② SET 1/2" PIN LS#13427 USING EAST-WEST SECTION CENTERLINE WITH A LINE NORTH FROM ANCIENT FENCE SOUTH FOR NE COR E1/2 SW 1/4. ③ SET 1/2" PIN LS#13427 AT MIDPOINT OF NORTH LINE SW 1/4 FOR NW COR E1/2 SW 1/4.

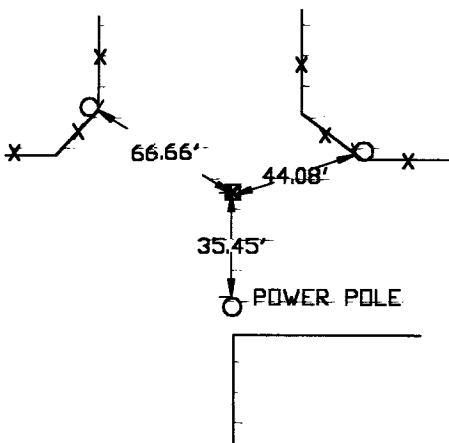
PLAN-VIEW

(Show a minimum of three reference ties to durable physical objects, relevant monuments and physical conditions that will enable recovery of the corner.)

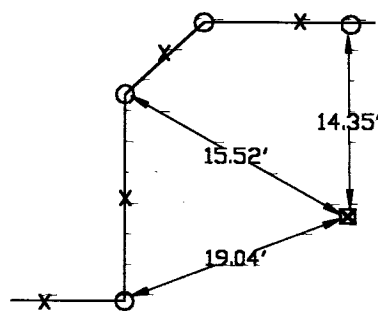
① ALL "X" NAILS IN FENCE POSTS



② ALL "X" NAILS



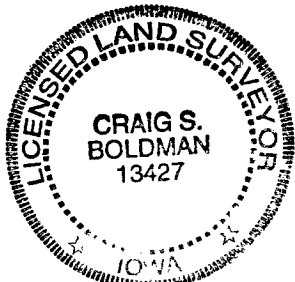
③ ALL "X" NAILS IN FENCE POSTS



I hereby certify that the survey work was completed and this certificate was prepared by me or under my direct personal supervision and that I am a duly Licensed Land Surveyor under the laws of the State of Iowa

Signature: Craig S. Boldman
 Craig S. Boldman

Date: 5/6/89 Reg. No. 13427



SEAL

List Corners to be Indexed

Corners	Section	Twp	Range
S1/4	16	74	28
NE CORNER E1/2 SW 1/4	16	74	28
NW CORNER E1/2 SW 1/4	16	74	28