



2/10/2005

COMPUTER
RECORDED
COMPARED

FILED NO. 3209
BOOK 2 PAGE 21

99 FEB -5 AM 11:59

REC \$ 5.00
AUD \$ _____
R.M.F. \$ 1.00

MICHELLE UTSLER
RECORDER
MADISON COUNTY, IOWA

VANCE & HOCHSTETLER, P.C., CONSULTING ENGINEERS, WINTERSSET, IOWA (515) 462-3995
CHARLES T. VANCE, 110 West Green St., Winterset, Iowa, 50273
JAMES M HOCHSTETLER, 110 West Green St., Winterset, Iowa 50273

UNITED STATES PUBLIC LAND SURVEY CORNER CERTIFICATE
OF

Land Survey Monuments situated in Section 13, Township 76 North, Range 28 West, of the Fifth Principal Meridian, MADISON County, Iowa.
Previously recorded in _____ in County Recorder's Office.
(book, page, document number, etc.)

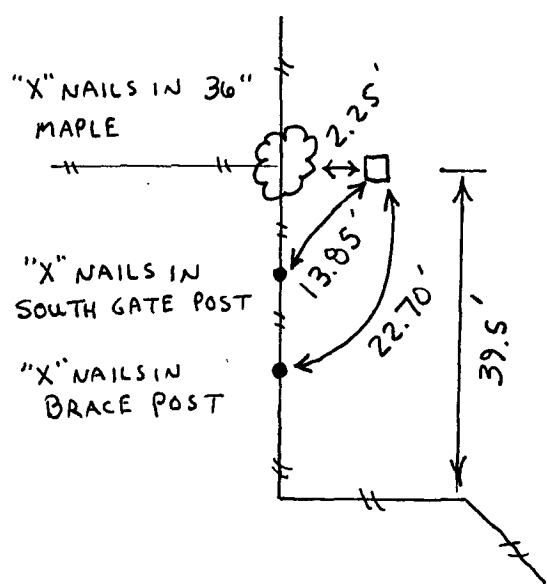
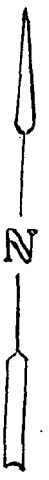
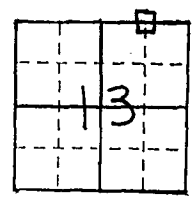
(Show reason for preparing this certificate, the evidence and detailed procedures used in establishing the the corner positions and monumentation found or placed.)

Monument Description and Remarks: _____
NW cor. NE. 1/4 NE. 1/4 - Fd. Stone 3' E. of existing North-South
fenceline, from previous ties found in Madison Co.
Engineer's Office.

PLAN - VIEW

(Show a minimum of three reference ties to durable physical objects, relevant monuments and physical conditions that will enable recovery of the corner.)

NW CORNER
NE. 1/4 NE. 1/4
SEC. 13-76-28
Fd. Stone



I hereby certify that this land surveying document was prepared and the related survey work was performed by me or under my direct personal supervision and that I am a duly licensed Land Surveyor under the laws of the State of Iowa.
J.M. Hochstetler
J.M. HOCHSTETLER
License number 6808 Date 2/4/99
My license renewal date is December 31, 1999.
Pages or sheets covered by this seal: 1

List Corners to be Indexed

Corners	Section	Twp	Range
NW cor.	13	76N	28W
NE. 1/4 NE. 1/4			