

REC \$ 5<sup>00</sup>  
AUD \$ 1<sup>00</sup>  
R.M.F. \$ 1<sup>00</sup>

COMPUTER ✓  
RECORDED ✓  
COMPALED ✓

FILED NO. 3204  
BOOK 2 PAGE 16

Prepared By: J. Brian Morrissey, Morrissey Surveying, 1926 Pammel Park Road, Winterset, Ia. 50273, Tel. (515) 462-2166

# UNITED STATES PUBLIC LAND SURVEY CORNER CERTIFICATE OF

99 FEB - 5 AM 10: 27  
MICHELLE UTSLER  
RECORDER  
MADISON COUNTY, IOWA

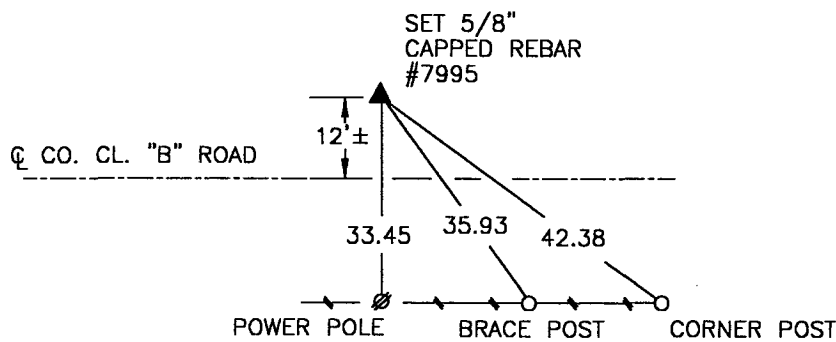
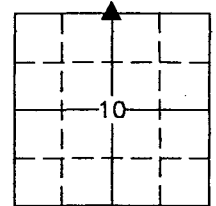
Land Survey Monuments situated in Section 10, Township 77 N, Range 27 W, of the Fifth Principal Meridian, Madison County, Iowa.  
Previously recorded in N. A. in County Recorders Office.  
(book, page, document number, etc.)

(Show reason for preparing this certificate, the evidence and detailed procedures used in establishing the corner positions and monumentation found or placed.)

Monument Description and Remarks: Set 5/8" capped rebar, # 7995, at the intersection of fence to the north and line from the northwest corner to the northeast corner of the section.

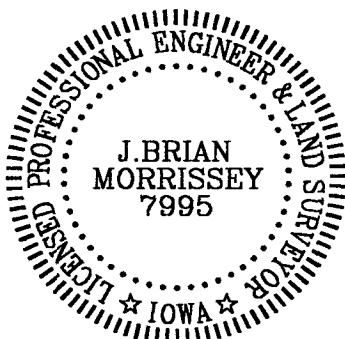
## PLAN VIEW

(Show a minimum of three reference ties to durable physical objects, relevant monuments and physical conditions that will enable recovery of the corner.)



NW. COR., NE. 1/4, SEC. 10

NOTE: ALL TIES TO "X" NAILS UNLESS NOTED



I hereby certify that the survey work was completed and this certificate was prepared by me or under my direct personal supervision and that I am a duly Licensed Land Surveyor under the laws of the State of Iowa.

Signature: J. Brian Morrissey Date: 2/5/99  
J. Brian Morrissey

License number 7995.

My license renewal date is December 31, 1999.

266-98-1