



INDX ✓
ANNO ✓
SCAN ✓
CHEK ✓

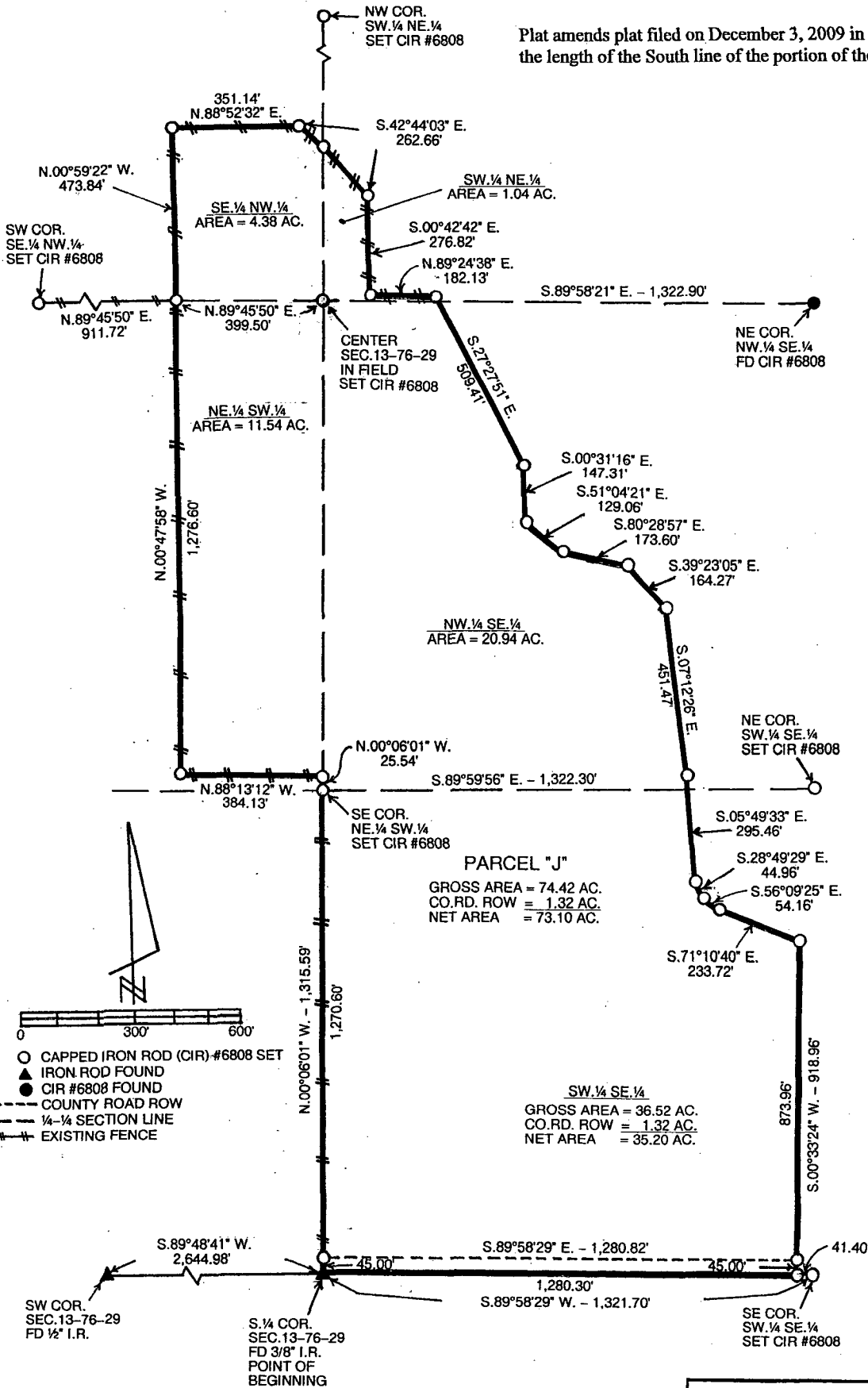
LISA SMITH, COUNTY RECORDER
MADISON COUNTY IOWA

VANCE & HOCHSTETLER, P.C. • CONSULTING ENGINEERS • WINTERSET, IOWA • 50273

CHARLES T. VANCE • 110 WEST GREEN ST., WINTERSET, IOWA • (515) 462-3995
JAMES M HOCHSTETLER • 110 WEST GREEN ST., WINTERSET, IOWA • FAX: (515) 462 9845

AMENDED PLAT OF SURVEY IN SECTION 13, TOWNSHIP 76 NORTH,
RANGE 29 WEST OF THE 5TH P.M., MADISON COUNTY, IOWA
OWNED BY LONNA J. NIELSEN.

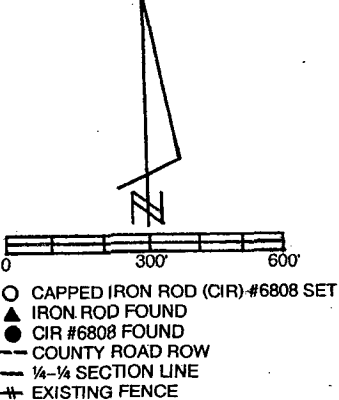
Plat amends plat filed on December 3, 2009 in Book 2009 Page 3678 to correct
the length of the South line of the portion of the parcel in the NE 1/4 SW 1/4.



LEGAL DESCRIPTION:

Parcel "J" in Section 13, Township 76 North, Range 29 West of the 5th P.M., Madison County, Iowa more particularly described as follows:

Beginning at the South Quarter Corner of Section 13, Township 76 North, Range 29 West of the 5th P.M., Madison County, Iowa thence North 00°06'01" West 1,315.59 feet to the Southeast Corner of the Northeast Quarter of the Southwest Quarter of said Section 13; thence continuing North 00°06'01" West 25.54 feet along the East line of said Northeast Quarter of the Southwest Quarter; thence North 88°13'12" West 384.13 feet; thence North 00°47'58" West 1,276.60 feet to the North line of said Northeast Quarter of the Southwest Quarter; thence North 00°59'22" West 473.84 feet; thence North 88°52'32" East 351.14 feet; thence South 42°44'03" East 262.66 feet; thence South 00°42'42" East 276.82 feet; thence North 89°24'38" East 182.13 feet; thence South 27°27'51" East 509.41 feet; thence South 00°31'16" East 147.31 feet; thence South 51°04'21" East 129.06 feet; thence South 80°28'57" East 173.60 feet; thence South 39°23'05" East 164.27 feet; thence South 07°12'26" East 451.47 feet to the Northwest Corner of existing Parcel "F"; thence South 05°49'33" East 295.46 feet along a line of Parcel "F"; thence South 28°49'29" East 44.96 feet along a line of Parcel "F"; thence South 56°09'25" East 54.16 feet along a line of Parcel "F"; thence South 71°10'40" East 233.72 feet along a line of Parcel "F"; thence South 00°33'24" West 918.96 feet to the Southwest Corner of Parcel "F"; thence South 89°58'29" West 1,280.30 feet along the South line of the Southwest Quarter of the Southeast Quarter of said Section 13 to the Point of Beginning containing 74.42 acres including 1.32 acres of County Road right-of-way.



I hereby certify that this land surveying document was prepared and the related survey work was performed by me or under my direct personal supervision and that I am a duly licensed Land Surveyor under the laws of the State of Iowa.

J. M. HOCHSTETLER
#6808

J.M. Hochstetler
J.M. HOCHSTETLER
License number 6808 Date 4/5/10
My license renewal date is December 31, 2011
Pages or sheets covered by this seal: 1

IOWA