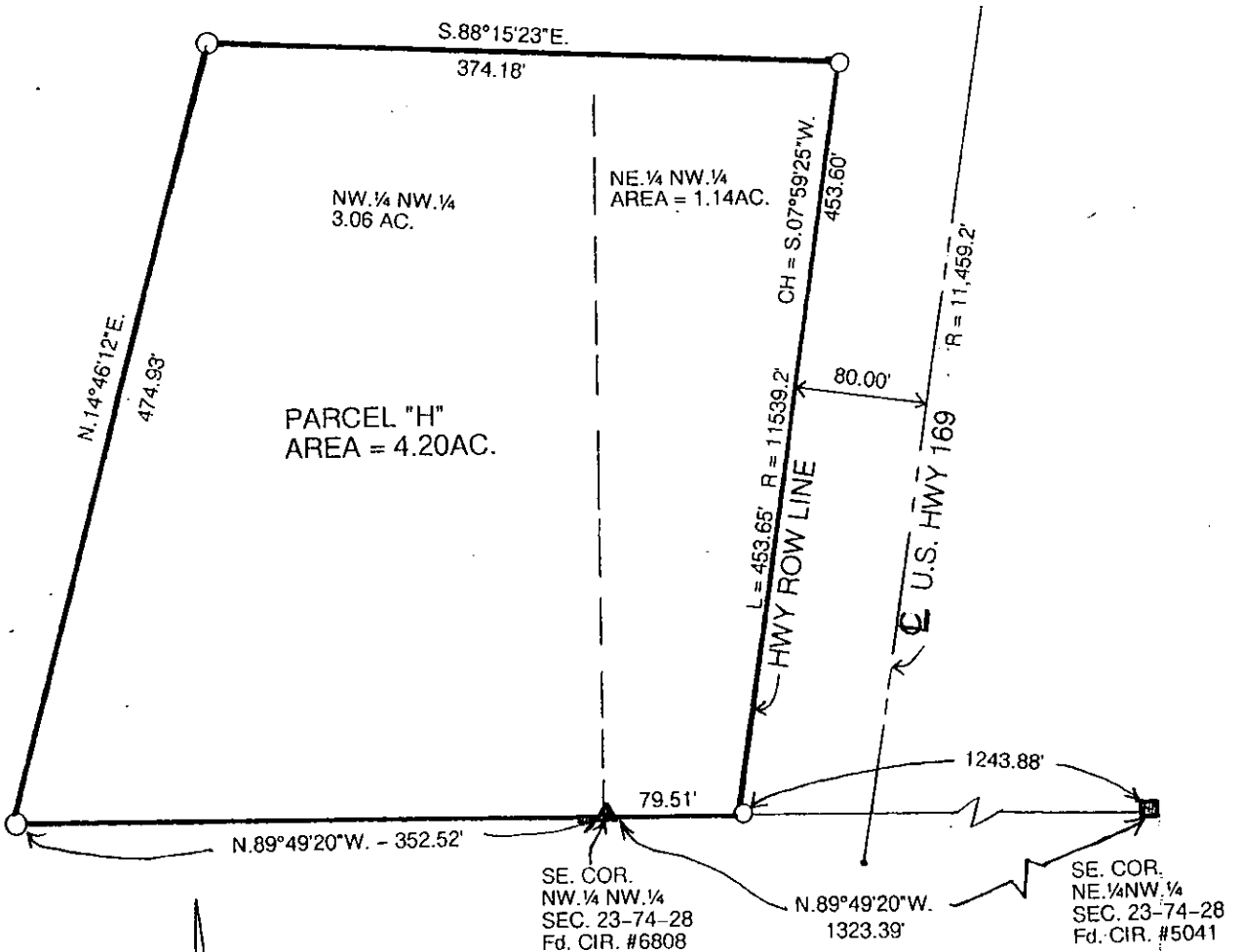


INDEX ✓
ANNO
SCAN
CHECK

LISA SMITH, COUNTY RECORDER
MADISON IOWA

VANCE & HOCHSTETLER, P.C. CONSULTING ENGINEERS, WINTERSET, IOWA (515)462-3995
CHARLES T. VANCE, 110 WEST GREEN ST., WINTERSET, IOWA 50273-1533
JAMES M. HOCHSTETLER, 110 WEST GREEN ST., WINTERSET, IOWA 50273-1533

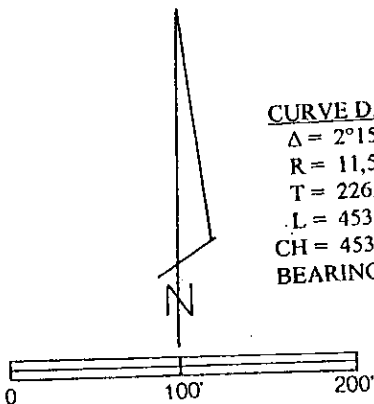
PLAT OF SURVEY IN THE NORTHWEST QUARTER OF SECTION 23, TOWNSHIP 74 NORTH,
RANGE 28 WEST OF THE 5TH P.M., MADISON COUNTY, IOWA.
OWNED BY RUSSEL G. AND JUNE G. WILLIAMS.



CURVE DATA
 $\Delta = 2^{\circ}15'09''$
 $R = 11,539.2'$
 $T = 226.85'$
 $L = 453.65'$
 $CH = 453.60'$
 $BEARING = S.07^{\circ}59'25''$

LEGAL DESCRIPTION:

Parcel "H" in the Northwest Quarter of Section 23, Township 74 North, Range 28 West of the 5th P.M., Madison County, Iowa more particularly described as follows:
 Beginning at the Southeast Corner of the Northwest Quarter of the Northwest Quarter of Section 23, Township 74 North, Range 28 West of the 5th P.M., Madison County, Iowa thence North 89°49'20" West 352.52 feet along the South line of said Northwest Quarter of the Northwest Quarter; thence North 14°46'12" East 474.93 feet; thence South 88°15'23" East 374.18' feet to a point on the Westerly right-of-way of U.S. Highway No. 169; thence Southerly 453.65 feet along a 11,539.2 foot radius curve concave Easterly with a 453.60 foot chord bearing South 07°59'25" West to a point on the South line of the Northeast Quarter of the Northwest Quarter of said Section 23; thence North 89°49'20" West 79.51 feet to the Point of Beginning containing 4.20 acres.



SCALE 1" = 100'
 DATE OF SURVEY = 9/14/07
 ○ CAPPED IRON ROD (CIR) #6808 SET
 ◻ CIR #5041 FOUND
 ▲ CIR #6808 FOUND
 --- CENTERLINE HIGHWAY
 - - - 1/4 1/4 SECTION LINE
 |||| EXISTING FENCE

I hereby certify that this land surveying document was prepared and the related survey work was performed by me or under my direct personal supervision and that I am a duly licensed Land Surveyor under the laws of the State of Iowa.

J.M. Hochstetler
 J.M. HOCHSTETLER
 License number 6808 Date 9/19/07
 My license renewal date is December 31, 2012
 Pages or sheets covered by this seal: 1