

LISA SMITH, COUNTY RECORDER  
 MADISON IOWA

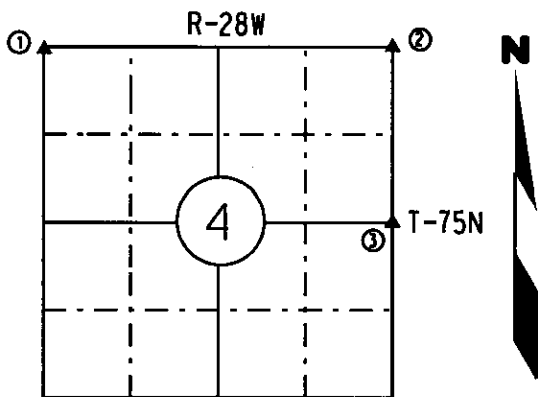
Prepared by: William J. Fox, 2210 E. 7th, Atlantic Jc 50022 (512) 243-2009

**UNITED STATES PUBLIC LAND SURVEY CORNER CERTIFICATE**

Section 4 Township 75N Range 28W County MADISON



Certificate Prepared For: RE-REFERENCING SECTION CORNERS SECTION 4  
FOR PROPERTY SURVEY



I hereby certify that this land surveying document was prepared by me and the related survey work was performed by me or under my direct supervision and that I am a duly licensed Land Surveyor under the laws of the State of Iowa.

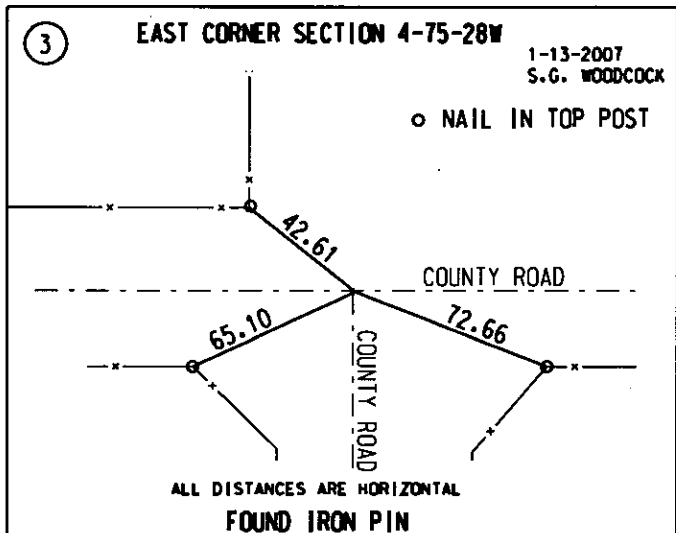
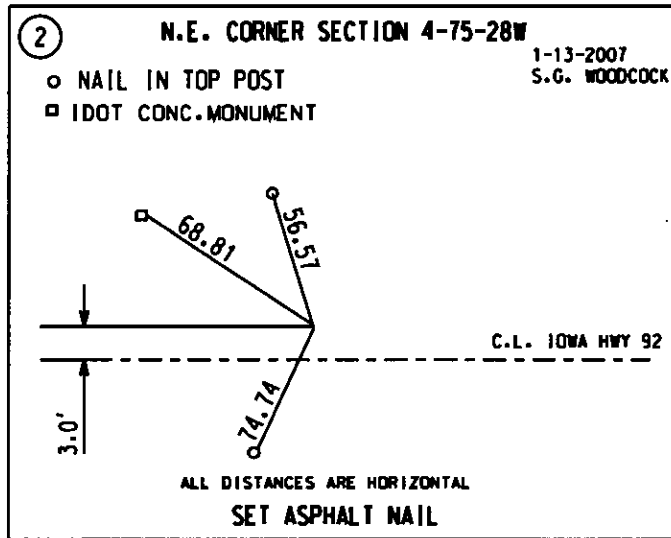
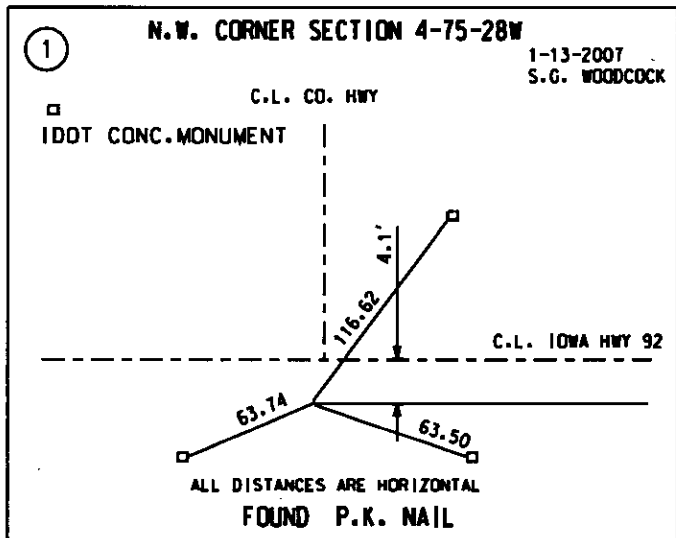
*William J. Fox* 1-22-07  
 WILLIAM J. FOX Date

License number 15482  
 Pages covered by this seal 1  
 My License Renewal date is December 31, 2007

MADISON COUNTY

MONUMENT DESCRIPTION AND REMARKS:

- (1) FOUND P.K. NAIL FROM TIES USED BY IOWA DOT ASBUILT PLANS PROJECT F-92-4(2)--61-5 AND CORNER CERTIFICATE BY J. BRAIN MORRISSEY #7995 DATE 7/11/1992
- (2) SET ASPHALT NAIL BY USING TIES FROM IOWA DOT ASBUILT PLANS PROJECT F-92-4(2)--61-5 AND CORNER CERTIFICATE BY CHARLES VANCE #5041 DATE 12/16/1992
- (3) FOUND IRON PIN FROM TIES SET BY GRAIG BOLDMAN #13427 DATE 1/31/2002



LIST CORNERS TO BE INDEXED:

CORNERS	SECTION	TWP.	RANGE
N.W.	4	75	28
N.E.	4	75	28
EAST	4	75	28