

2002 AUG -7 AM 10:05

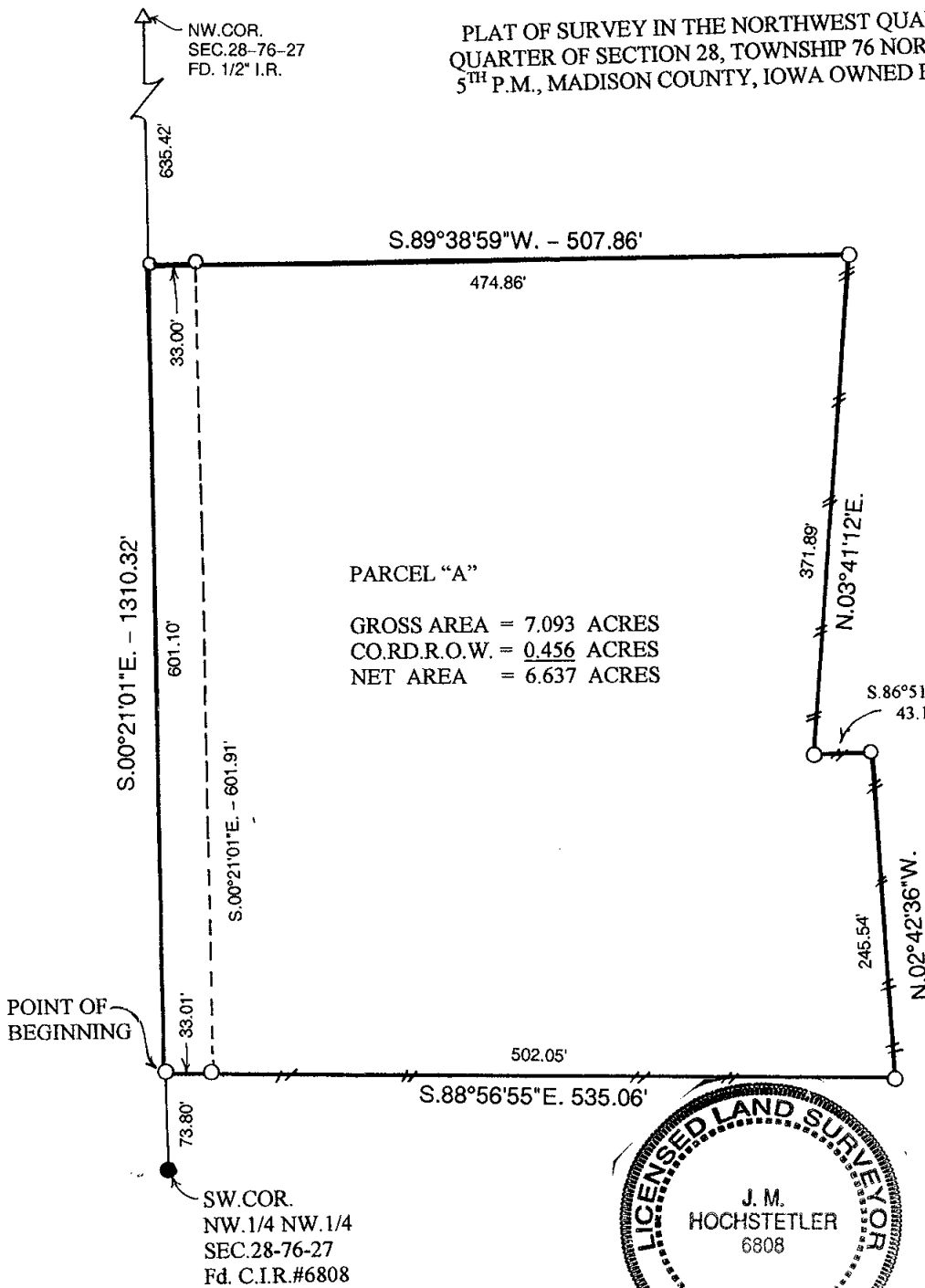
REC \$ 5⁰⁰
AUD \$
R.M.F. \$ 1⁰⁰

COMPUTER
RECORDED
COMPARED

MICKI UTSLER
RECORDER
MADISON COUNTY, IOWA

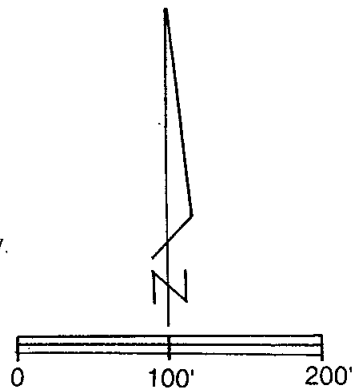
VANCE & HOCHSTETLER, P.C. CONSULTING ENGINEERS, WINTERSSET, IOWA (515) 462-3995
CHARLES T. VANCE, 110 WEST GREEN ST., WINTERSSET, IOWA 50273
JAMES M HOCHSTETLER, 110 WEST GREEN ST., WINTERSSET, IOWA 50273

PLAT OF SURVEY IN THE NORTHWEST QUARTER OF THE NORTHWEST QUARTER OF SECTION 28, TOWNSHIP 76 NORTH, RANGE 27 WEST OF THE 5TH P.M., MADISON COUNTY, IOWA OWNED BY FRANK A. SCHOENAUER.



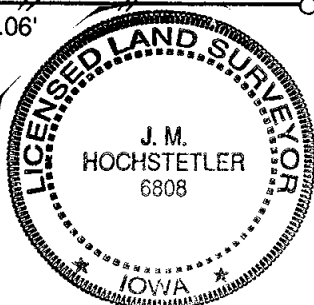
PARCEL "A"

GROSS AREA = 7.093 ACRES
CO.RD.R.O.W. = 0.456 ACRES
NET AREA = 6.637 ACRES



SCALE: 1" = 100'
DATE OF SURVEY: 7-26-02

- CAPPED IRON ROD (C.I.R.)#6808 SET
- C.I.R.#6808 FOUND
- △ 1/2" IRON ROD FOUND
- COUNTY ROAD R.O.W.
- - - EXISTING FENCE



I hereby certify that this land surveying document was prepared and the related survey work was performed by me or under my direct personal supervision and that I am a duly licensed Land Surveyor under the laws of the State of Iowa.

J.M. Hochstetler
J.M. HOCHSTETLER
License number 6808 Date 8/6/02
My license renewal date is December 31, 2003
Pages or sheets covered by this seal: 1

DESCRIPTION:

Parcel "A" in the Northwest Quarter of the Northwest Quarter of Section 28, Township 76 North, Range 27 West of the 5th P.M., Madison County, Iowa more particularly described as follows:

Commencing at the Southwest Corner of the Northwest Quarter of the Northwest Quarter of Section 28, Township 76 North, Range 27 West of the 5th P.M., Madison County, Iowa; thence North 00°21'01" West 73.80 feet along the West line of said Northwest Quarter of the Northwest Quarter to the Point of Beginning; thence South 88°56'55" East 535.06 feet; thence North 02°42'36" West 245.54 feet; thence South 86°51'13" West 43.16 feet; thence North 03°41'12" West 371.89 feet; thence South 89°38'59" West 507.86 feet to a point on the West line of said Northwest Quarter of the Northwest Quarter; thence South 00°21'01" East 601.10 feet to the Point of Beginning containing 7.093 acres including 0.456 acres of County Road right-of-way.