

REC \$ 5<sup>00</sup>  
AUD \$ \_\_\_\_\_  
R.M.F. \$ 1<sup>00</sup>

COMPUTER   
RECORDED   
COMPARED \_\_\_\_\_

MICKI UTSLER  
RECORDER  
MADISON COUNTY, IOWA  
PH: (515) 276-0467

PREPARED BY: JOEL R. ROMEY 3501 104th STREET URBANDALE IOWA 50322

UNITED STATES PUBLIC LAND SURVEY CORNER CERTIFICATE  
OF

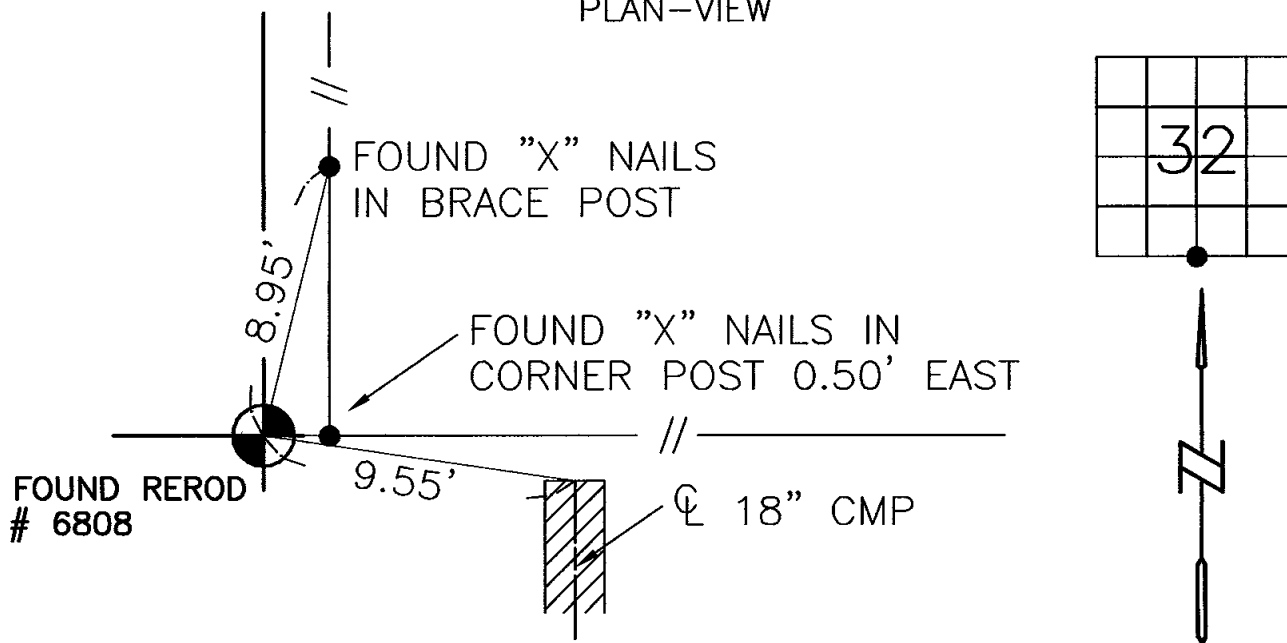
Land Survey Monuments situated in Section 32, Township 77 N, Range 26 W, of the Fifth Principal Meridian, MADISON County, Iowa.  
Previously recorded in Book NONE, Page NONE.

(Show reason for preparing this certificate, the evidence and detailed procedures used in establishing the corner positions and monumentation found or placed).

Monument Description and Remarks:

*NO EXISTING CORNER CERTIFICATE IS ON FILE AT THE MADISON COUNTY RECORDER'S OFFICE. ADDITIONAL INFORMATION CAN BE FOUND ON BISHOP ENGINEERING DRAWING No. 01-18P.*

PLAN-VIEW



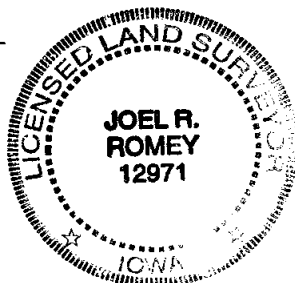
SOUTH 1/4 CORNER

I hereby certify that the survey work was completed and this certificate was prepared by me or under my direct personal supervision and that I am a duly licensed land surveyor under the laws of the state of Iowa.

*Joel R. Romey*

Licensed Land Surveyor No. \_\_\_\_\_  
License Renewal Date: 31 Dec. 2003

SEAL



List Corners to be indexed

Corners	Section	Twp	Range
SOUTH 1/4	32	77	26