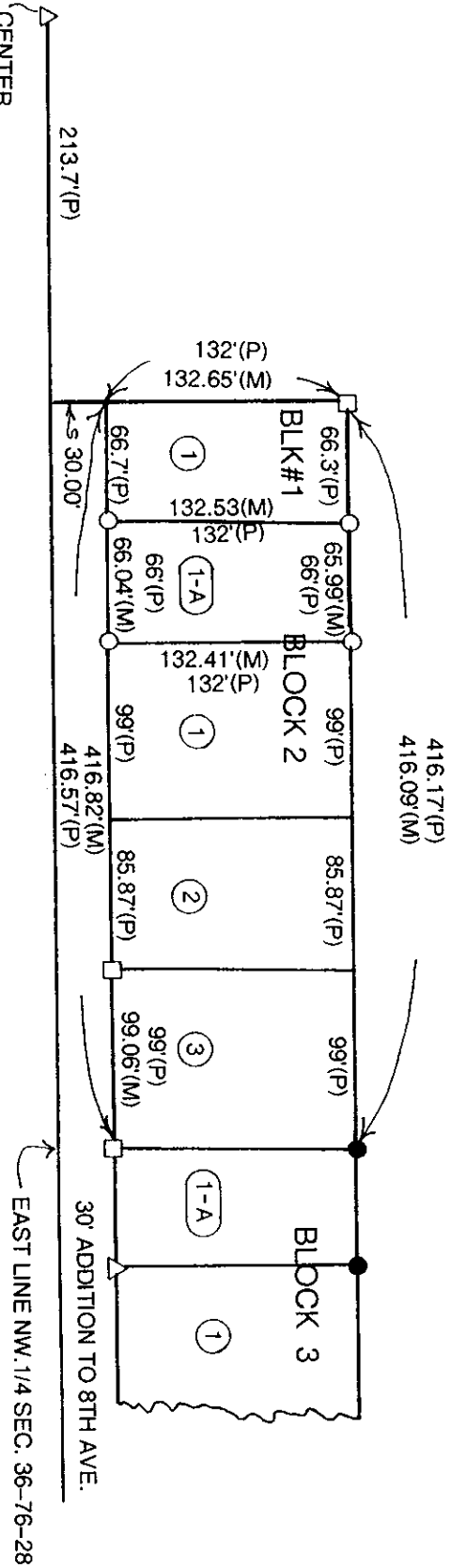


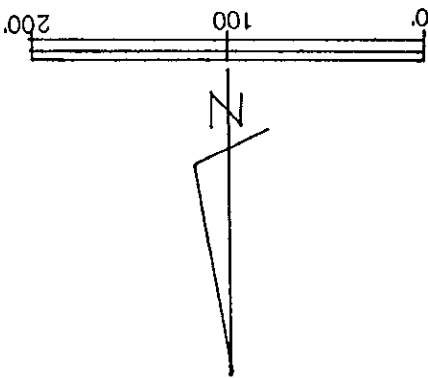
MICHELLE "MICKI" UTSLER, COUNTY RECORDER  
MADISON IOWA

VANCE & HOCHSTETLER, P.C. CONSULTING ENGINEERS, WINTERSET, IOWA (515) 462-3995  
CHARLES T. VANCE, 110 WEST GREEN ST., WINTERSET, IOWA 50273  
JAMES M HOCHSTETLER, 110 WEST GREEN ST., WINTERSET, IOWA 50273

PLAT OF SURVEY OF LOT 1-A, BLOCK 2, Wm. & ALICE BUSCH SUBURBAN  
ADDITION TO WINTERSET, IOWA OWNED BY JOSEPH J. TIERNAN.



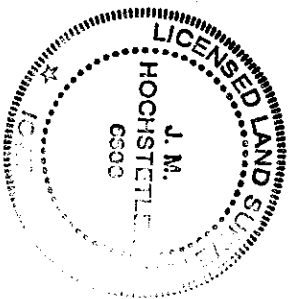
CENTER  
SEC. 36-76-28  
FD. 1/2" I.R.



SCALE: 1" = 100'

DATE OF SURVEY: 1-3-05

- CAPPED IRON ROD(CIR)# 6808 SET
- CIR # 6808 FOUND
- ROUND HEAD BOLT FOUND
- △ 1/2" IRON ROD FOUND
- (M) MEASURED DISTANCE
- (P) PLATTED DISTANCE



I hereby certify that this land surveying document  
was prepared and the related survey work was  
performed by me or under my direct personal  
supervision and that I am a duly licensed Land  
Surveyor under the laws of the State of Iowa.

*J.M. Hochstetler*  
J.M. HOCHSTETLER

License number 6808 Date 11/8/05  
My license renewal date is December 31, 2005  
Pages or sheets covered by this seal: 1