

COMPUTER
 RECORDED
 COMPARED _____

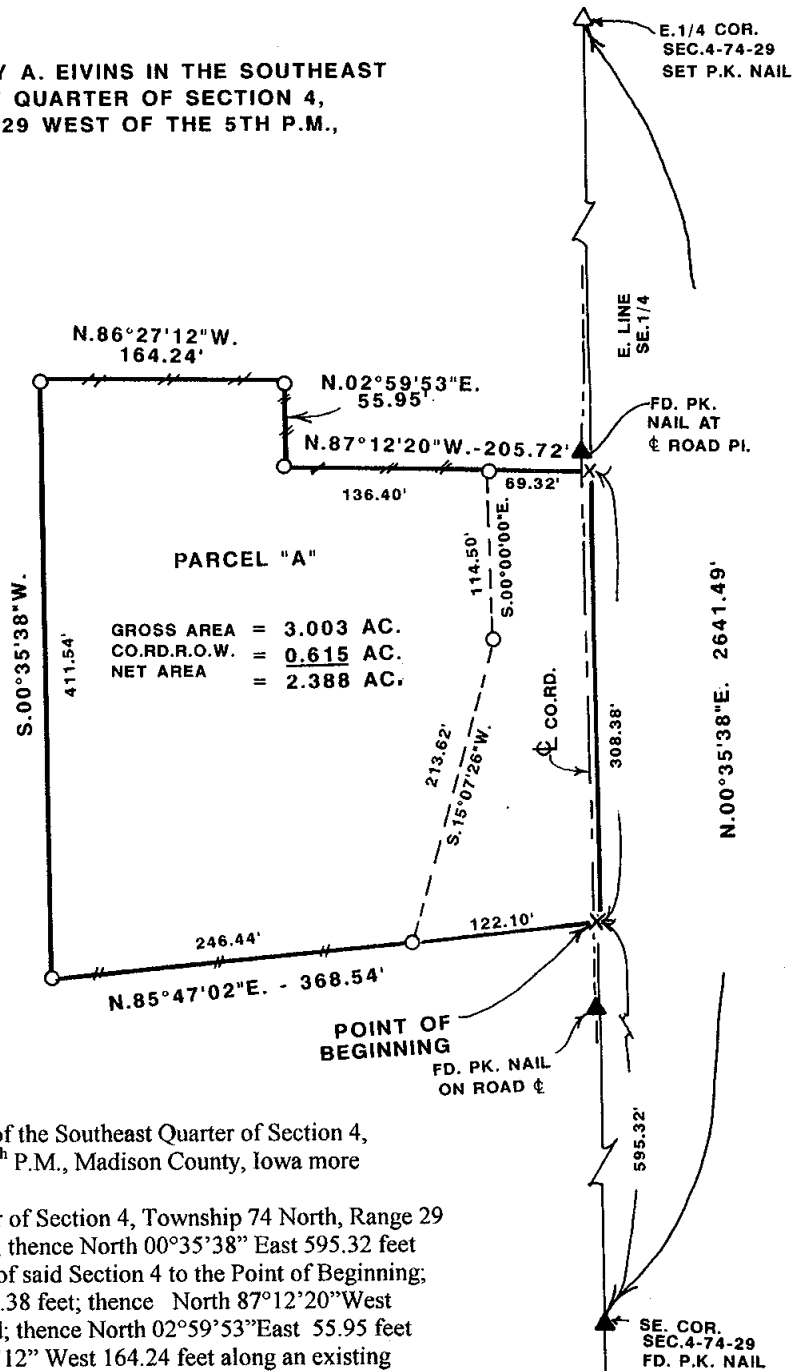
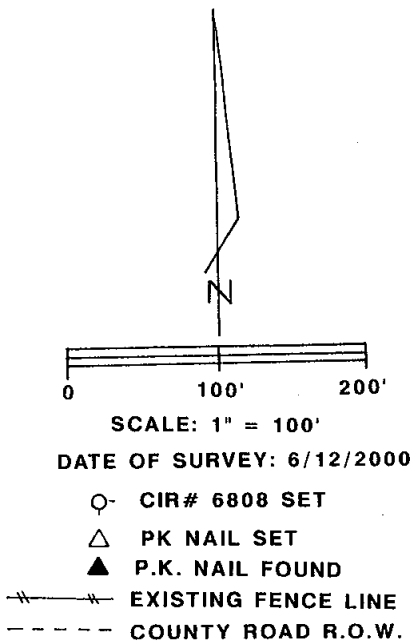
REG. \$ 500
 ADD. \$ _____
 L.M.F. \$ 100

FILED NO. 004696
 BOOK 3 PAGE 601
 2000 JUN 15 PM 3: 25

MICHELLE UTSLER
 RECORDER
 (515) 462-9995

VANCE & HOCHSTETLER, P.C. CONSULTING ENGINEERS, WINTERSSET, IOWA
 CHARLES T. VANCE, 110 WEST GREEN ST., WINTERSSET, IOWA 50273
 JAMES M HOCHSTETLER, 110 WEST GREEN ST., WINTERSSET, IOWA 50273

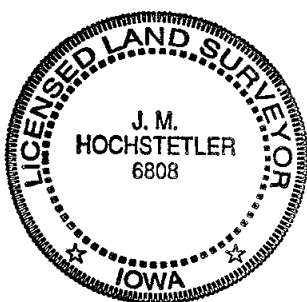
PLAT OF SURVEY FOR SHIRLEY A. EIVINS IN THE SOUTHEAST
 QUARTER OF THE SOUTHEAST QUARTER OF SECTION 4,
 TOWNSHIP 74 NORTH, RANGE 29 WEST OF THE 5TH P.M.,
 MADISON COUNTY, IOWA.



LEGAL DESCRIPTION:

Parcel "A" in the Southeast Quarter of the Southeast Quarter of Section 4, Township 74 North, Range 29 West of the 5th P.M., Madison County, Iowa more particularly described as follows:

Commencing at the Southeast Corner of Section 4, Township 74 North, Range 29 West of the 5th P.M., Madison County, Iowa; thence North 00°35'38" East 595.32 feet along the East line of the Southeast Quarter of said Section 4 to the Point of Beginning; thence continuing North 00°35'38" East 308.38 feet; thence North 87°12'20" West 205.72 feet along an existing fence projected; thence North 02°59'53" East 55.95 feet along an existing fence; thence North 86°27'12" West 164.24 feet along an existing fence; thence South 00°35'38" West 411.54 feet; thence North 85°47'02" East 368.54 feet along an existing fence projected to the Point of Beginning containing 3.003 acres including 0.615 acres of County Road right-of-way.



I hereby certify that this land surveying document was prepared and the related survey work was performed by me or under my direct personal supervision and that I am a duly licensed Land Surveyor under the laws of the State of Iowa.

J.M. Hochstetler
 J.M. HOCHSTETLER

License number 6808 Date 6/13/2000

My license renewal date is December 31, 2001

Pages or sheets covered by this seal: