

BK: 2022 PG: 1237  
 Recorded: 4/28/2022 at 10:28:06.0 AM  
 Pages 1  
 County Recording Fee: \$7.00  
 Iowa E-Filing Fee: \$3.13  
 Combined Fee: \$10.13  
 Revenue Tax:  
 LISA SMITH RECORDER  
 Madison County, Iowa

PREPARED BY: PELDS DESIGN SERVICES - 2323 DIXON STREET, DES MOINES, IOWA 50316 - PH. (515)265-8196

# UNITED STATES PUBLIC LAND SURVEY CORNER CERTIFICATE

of

LAND SURVEY MONUMENTS SITUATED IN SECTION 27 TOWNSHIP 76 North, RANGE 29 West, of the Fifth Principal Meridian, Madison County, Iowa.  
 Previously recorded in Book XX on Page XX in the office of the County Recorder.

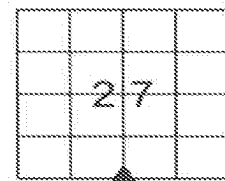
**Monument Description & Remarks:**

1. S 1/4 Corner, Found 1/2" Dia. Rebar With Yellow Cap #6808 3" deep at Centerline of County Road.
2. Set new ties because old ones were gone.

## PLAN VIEW

Section 27-T76N-R29W

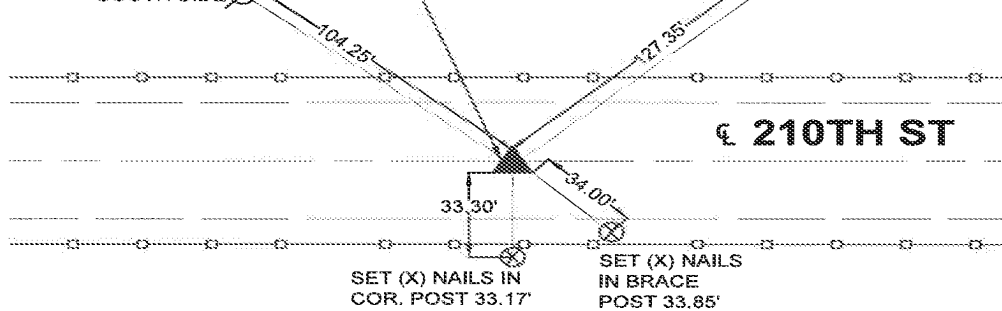
FND 1/2" DIA REBAR  
 W/YELLOW CAP #6808 3"  
 DEEP AT CENTER LINE OF  
 COUNTY ROAD



S 1/4

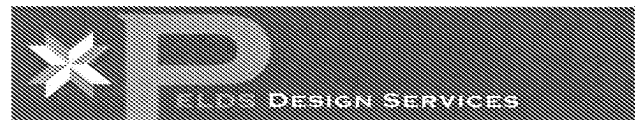
PP SET NAILS  
 W/RIBBON  
 SOUTH SIDE

PP SET NAILS  
 W/RIBBON  
 SOUTH SIDE



€ 210TH ST

TIES TO S 1/4 COR SEC 27-T79N-R29W



Architecture | Engineering | Surveying  
 2323 Dixon Street, Des Moines, Iowa 50316 | PO Box 4626, Des Moines, Iowa 50305 | Ph: 515 265 8196

LATEST REVISION: 04.27.2022

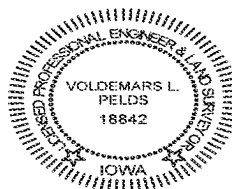
DRAWING NO: 22-048

I HEREBY CERTIFY THAT THIS LAND SURVEYING DOCUMENT WAS PREPARED AND THE RELATED WORK WAS PERFORMED BY ME OR UNDER MY DIRECT PERSONAL SUPERVISION AND THAT I AM A DULY LICENSED PROFESSIONAL LAND SURVEYOR UNDER THE LAWS OF THE STATE OF IOWA.

*Voldebars L. PELDS* 4/27/2022  
 VOLDEMARS L. PELDS, P.L.S. IA, LIC. NO. 19842 DATE

MY LICENSE RENEWAL DATE IS DECEMBER 31, 2023

ADDITIONAL PAGES OR SHEETS COVERED BY THIS SEAL (NONE UNLESS INDICATED HERE):



Corners to be Indexed:			
Corner	Section	Twp	Range
W 1/4 Corner	27	76	29
N 1/4 Corner	34	76	29